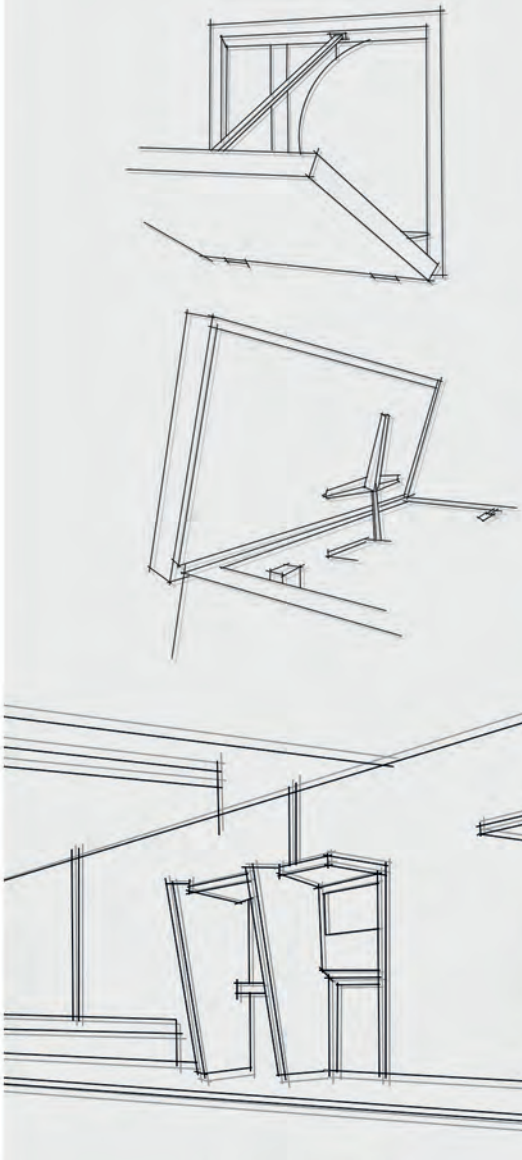


DESIGNED FOR THE FUTURE

A NEW CONCEPT IN
**HATCH VENTILATION
SYSTEMS**



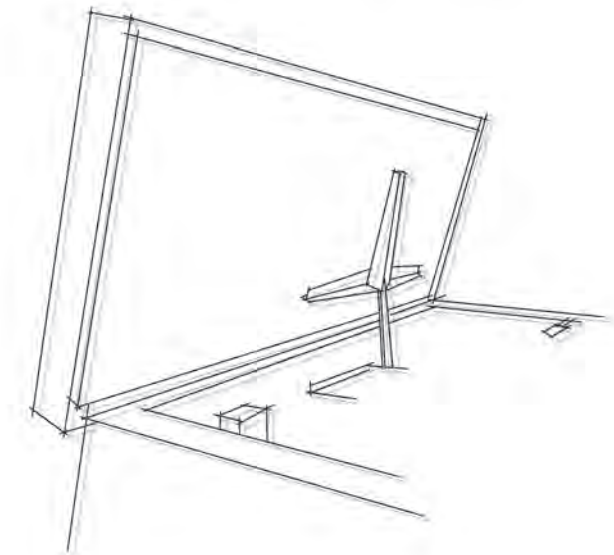
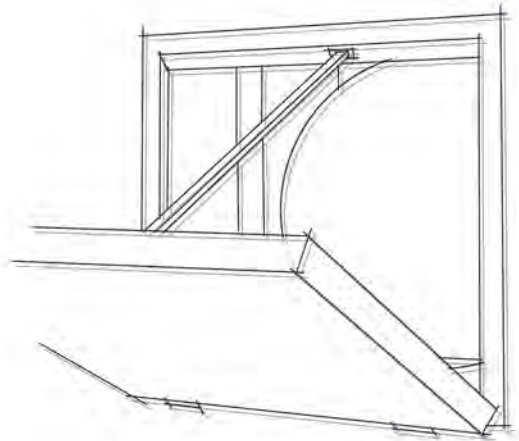


THINGS HAVE CHANGED, AND SO HAVE VENTILATION SYSTEMS.

WALL SYSTEM ← **HATCH SOLUTIONS** → ROOF SYSTEM



A NEW CONCEPT IN HATCH VENTILATION SYSTEMS.



THE HATCH SYSTEM

An efficient solution to prevent heat loss in buildings.

Sodeca presents a new system for extracting exhaust air from buildings or for smoke extract in fires that is compliant with current legislation, using automated motorised hatch systems with a completely hermetic design, next-generation technology and certified for F-400°C/2h or F-300°C/2h operation, depending on its application.

WALL SYSTEM

The WALL system is specially designed to exhaust air or smoke through the building façade during fires.



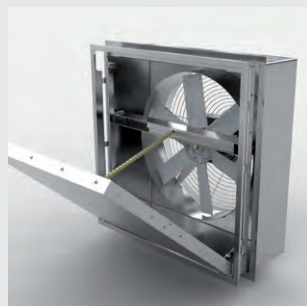
THT/WALL



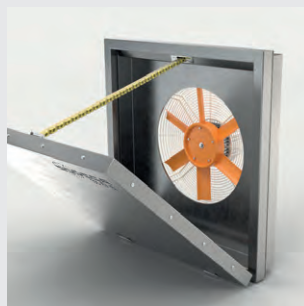
THT/WALL-F



WALL/DUCT



WALL-FREE



WALL/AXIAL

ROOF SYSTEM



THT/HATCH



HCT/HATCH

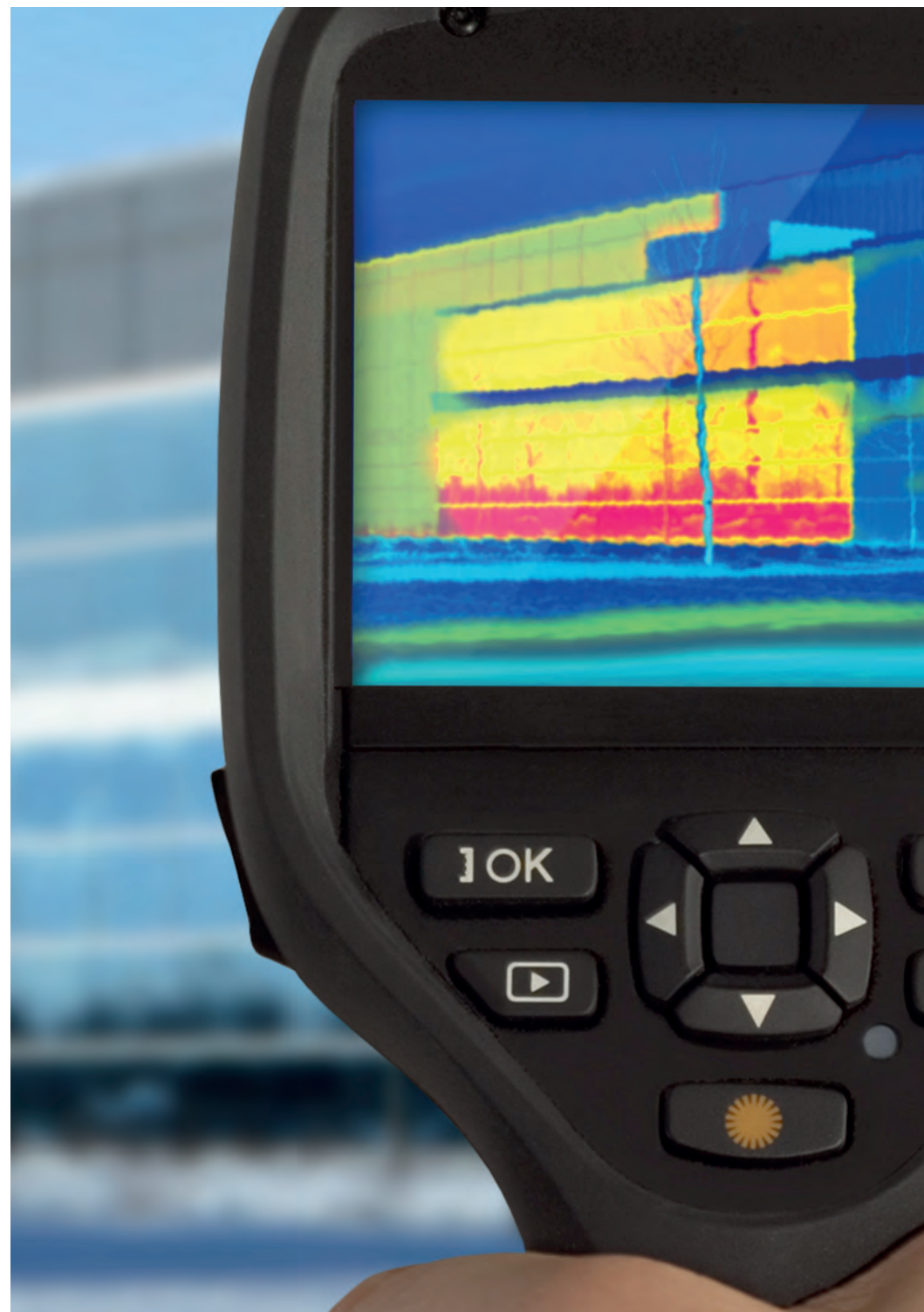
The ROOF system is designed for easy installation on building roofs or industrial buildings and permits air or smoke exhaust through the roof in the event of a fire.

The exhaust in both systems is performed with a motorised hatch that is completely sealed. All the equipment is thermally insulated with technologically advanced materials. This prevents heat loss in the building when the system is not operating.

HEAT LOSSES AND THERMAL INSULATION

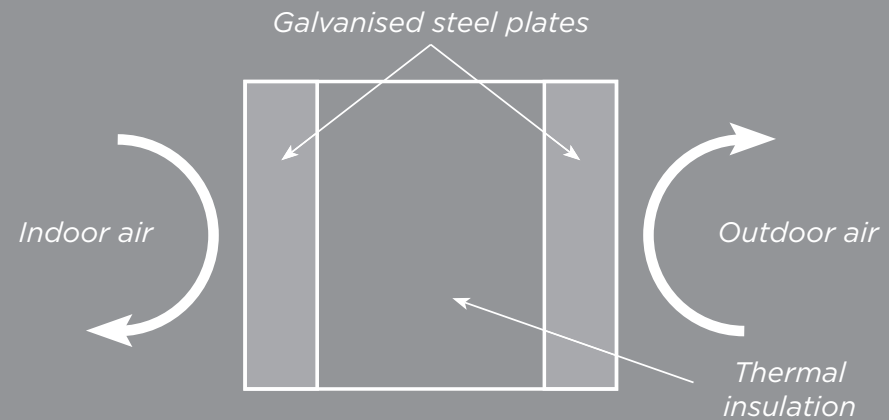
One of the main problems of fans today is constant heat loss, which incurs unnecessary costs due to the use of air conditioning or heating.

The new HATCH systems enable this problem to be eliminated, as they are formed by completely sealed, insulated units made from materials specially studied for this function. The walls of this equipment are insulated with thermal insulation panels with a thickness of 60 mm. This improves heat conductivity and prevents heat loss in the building.



HEAT TRANSFER

The body and hatch of the HATCH system extract equipment are formed by a three-layer sandwich system. To calculate the heat transfer, both heat transferred through the ducts and heat transferred by convection have been considered.



The heat transfer value of the HATCH systems is:

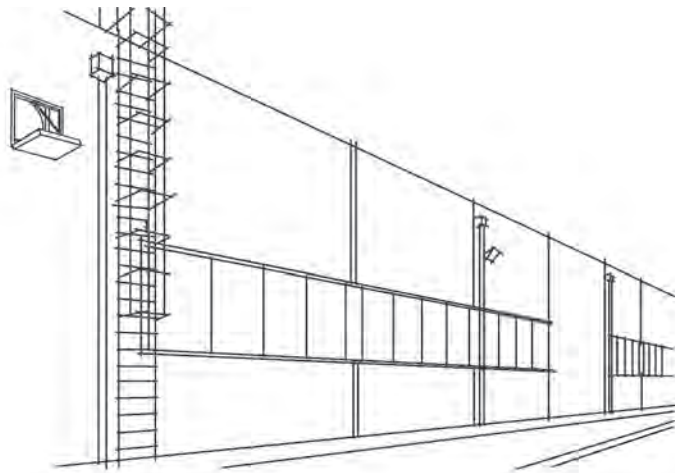
$$U = 0.6122 \text{ W/m}^2\text{K.}$$

The heat transfer value of the WALL systems is:

$$U = 0.7197 \text{ W/m}^2\text{K.}$$

WALL SYSTEM FOR INDUSTRIAL BUILDING FAÇADE APPLICATIONS

The WALL system can be used in industrial and commercial facilities as it is easy to install on façades and can be integrated into the building design. The WALL system for smoke extraction in the event of a fire can be installed in accordance with current legislation, using the F-400 or F-300-certified series, or a non-certified temperature-based system to extract exhaust or contaminated air. The WALL systems can also be used to supply air, if necessary. The advantage of being able to automatically close the hatch when the system is not in use brings very important energy savings. In addition, it keeps the vents fully closed from outside the building.



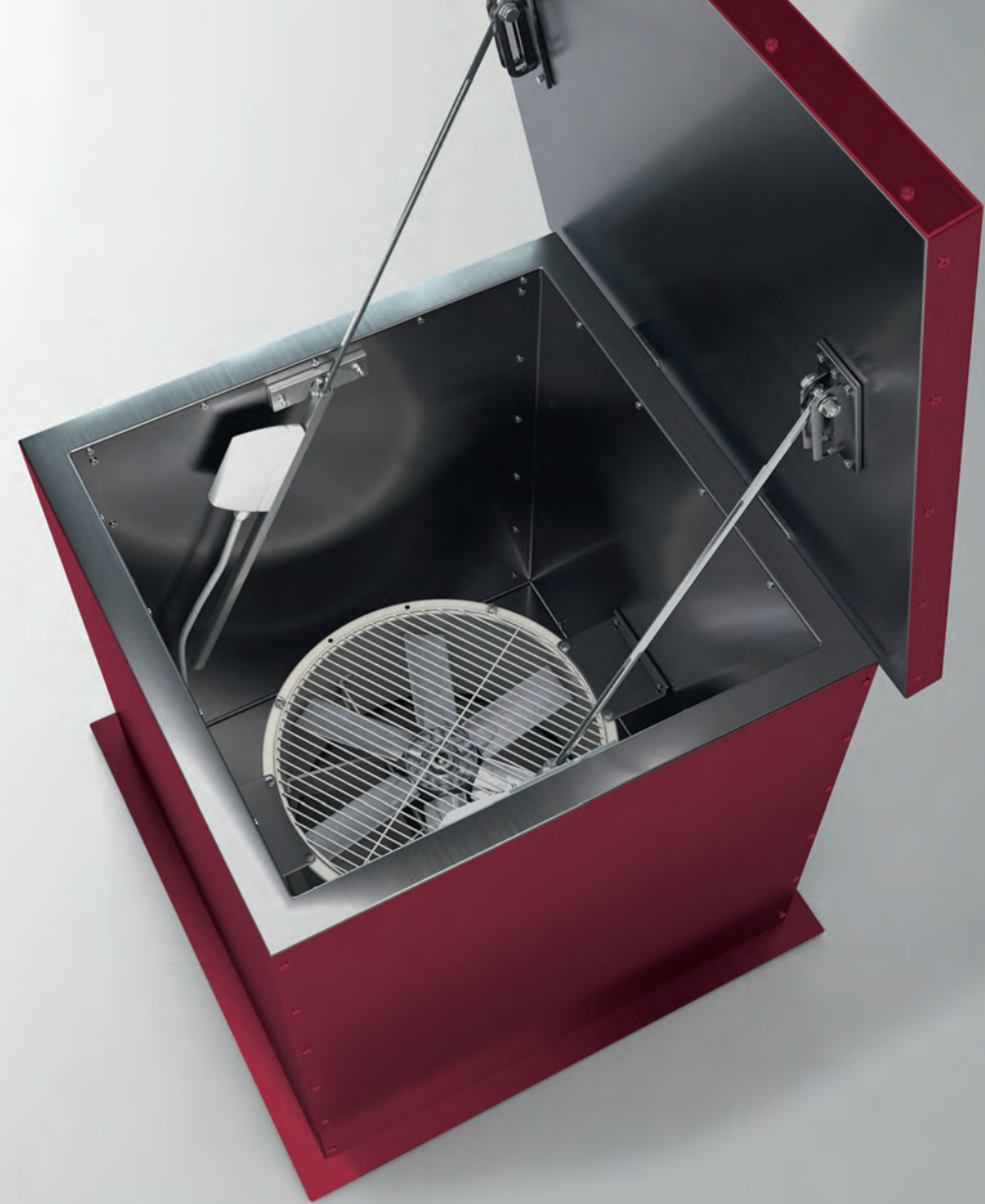




ROOF SYSTEM FOR INDUSTRIAL BUILDING ROOF APPLICATIONS

The installation of extractor fans on the roofs of industrial buildings to extract heat and contaminants is one of the most common applications in any industrial area. The large number of roof extractor fans with no design requirements give each building a different appearance. These roof-mounted extract fan applications usually give rise to the greatest heat losses when the extractor fans are not used, as the temperature builds up in the top part of the building, and considerable heat is lost through the extractor fans.

The HATCH roof systems prevent heat loss and standardise the building roof design. F-400 or F-300-certified systems can be used as protection in fires, for the rapid extraction of smoke, or non-certified systems can be used to extract exhaust or contaminated air. Their sealed design means that no water or snow can enter them, even in extreme weather conditions.

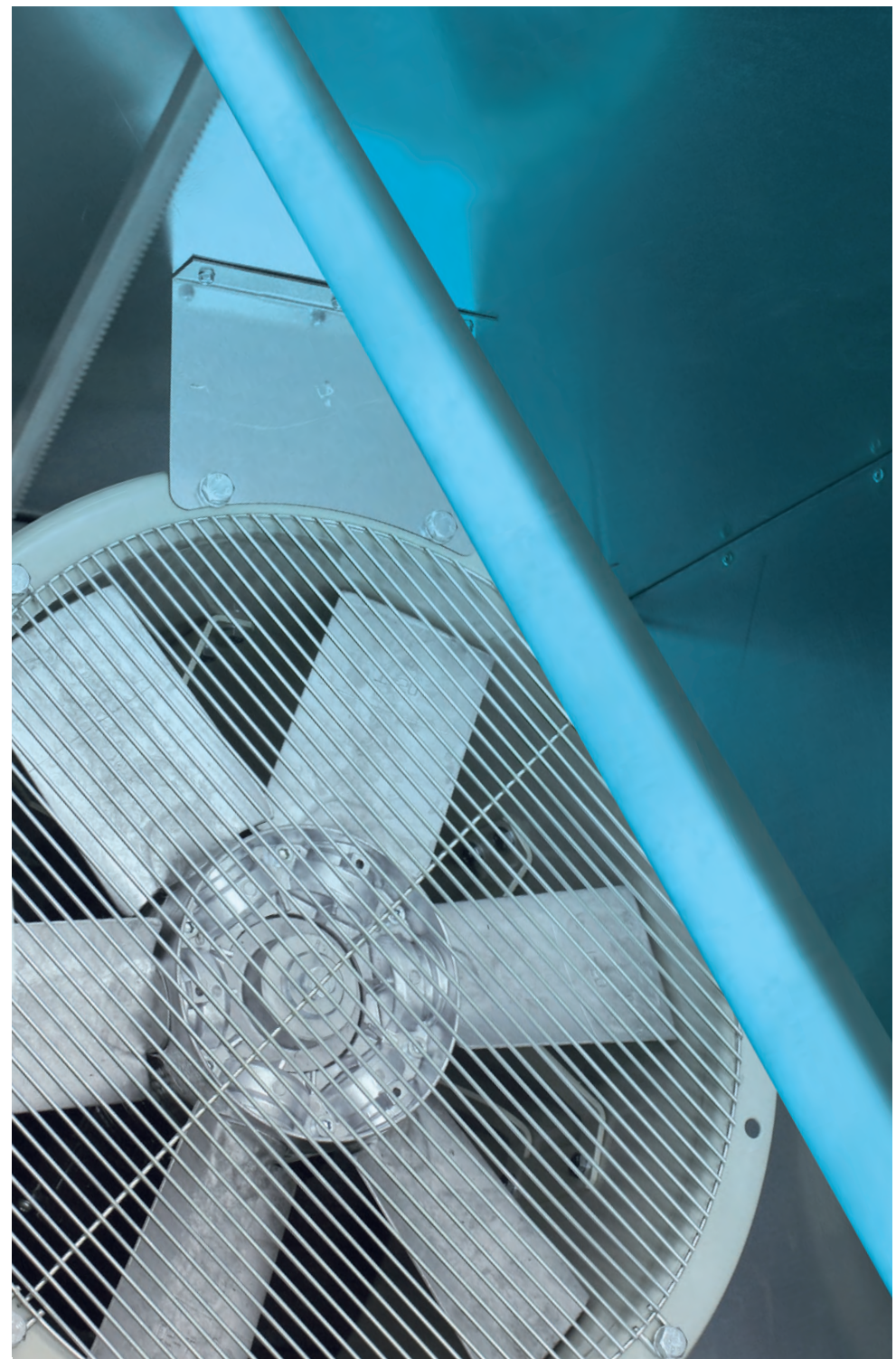


WALL SYSTEM FOR COMMERCIAL BUILDING FAÇADE APPLICATIONS

Personal safety in large buildings, particularly in tall buildings, makes smoke exhaust systems one of the most important systems to design. The WALL hatch series facilitates this task, as it enables the creation of air extract points in any part of the building façade, allowing them to blend in well with the building architecture.

This application saves having to install long duct sections to extract smoke through the roof or large chimneys.



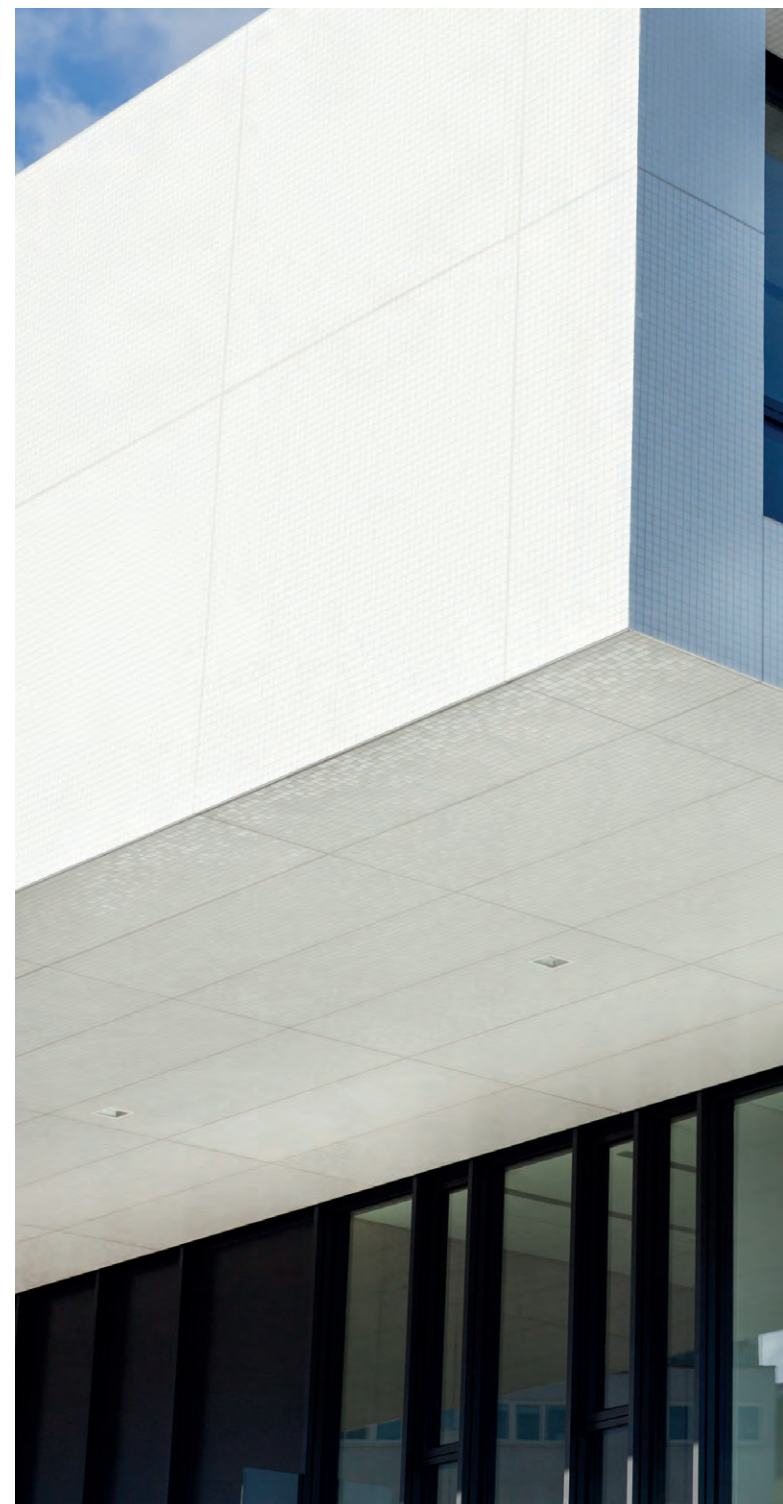


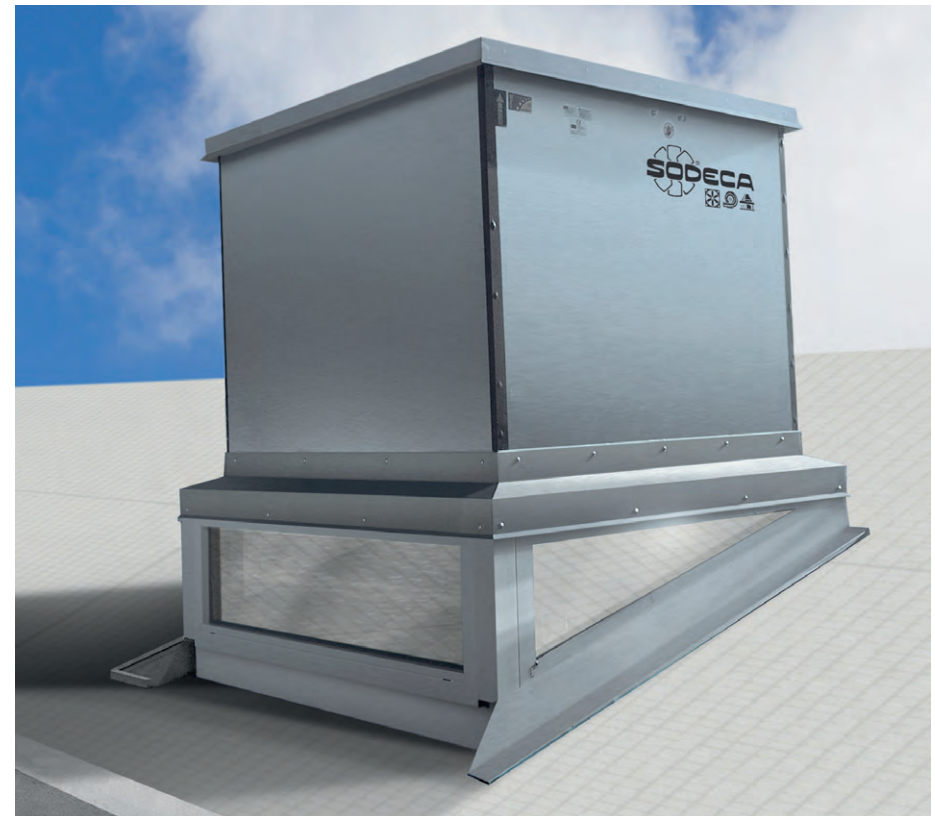
ROOF SYSTEM FOR COMMERCIAL BUILDING ROOF APPLICATIONS

Work currently being executed to make buildings as sustainable as possible has given rise to a great demand for factors such as the efficiency of the products installed and energy savings.

The use of the HATCH roof systems, which are completely sealed and have considerable thermal insulation, means that heat loss due to heat transmission when the extract system is not in use is practically nil.

The use of certified F-400 or F-300 roof systems with motorised hatches for fire protection is one of the simplest ways to comply with the provisions on smoke exhaust in buildings and the energy efficiency legislation promoted by the governments of each country.





CERTIFICATIONS

All the WALL and HATCH systems have been submitted to different trials to test their robustness in extreme conditions and, under snow and wind loads, and fire-resistance tests performed in accredited laboratories, in accordance with the EN-12101-3 and EN-12101-2 standards, with certification numbers 0370-CPR-2823 and 0370-CPR-1827.

Certifications in accordance with EN-12101-3	CLASSIFICATION (60 sec.)	OPENING TIME (30 sec.)
THT/HATCH	F400/2h F300/2h	28 sec.
THT/WALL	F400/2h F300/2h	28 sec.

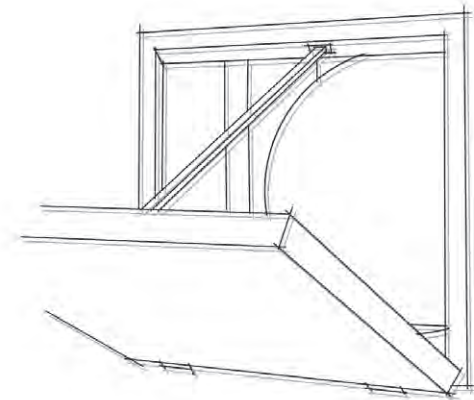
Certifications in accordance with EN-12101-2	SNOW LOAD (SL)	WIND LOAD (WL)	TEMPERATURE	RELIABILITY
THT/HATCH	SL-800	200 Pa	-25°	RE 10000
THT/WALL	Not applicable	1500 Pa		RE-1000



MOTORISED OPENING FUNCTION

The air exhaust hatch is opened by extremely robust motorised actuators, which guarantee correct operation in the harshest conditions, even with simultaneous snow and wind loads, pursuant to the strictest legislation in the market.

This system has been tested and certified by laboratories that specialise in these types of tests.





EASY TO INSTALL

Option of installing it on any roof, regardless of its inclination.

The fan inlet can be left free to draw directly from the premises or it can be connected directly to an extract duct using the flange built into the base of the extract fan.

ARCHITECTURAL INTEGRATION HATCH SYSTEMS

There is no doubt that the appearance of industrial or commercial buildings and their integration into their surroundings is one of the most important concerns of experts.

With the option of customising the HATCH system equipment, we can help smoke extraction systems used in fires to be integrated with the building.

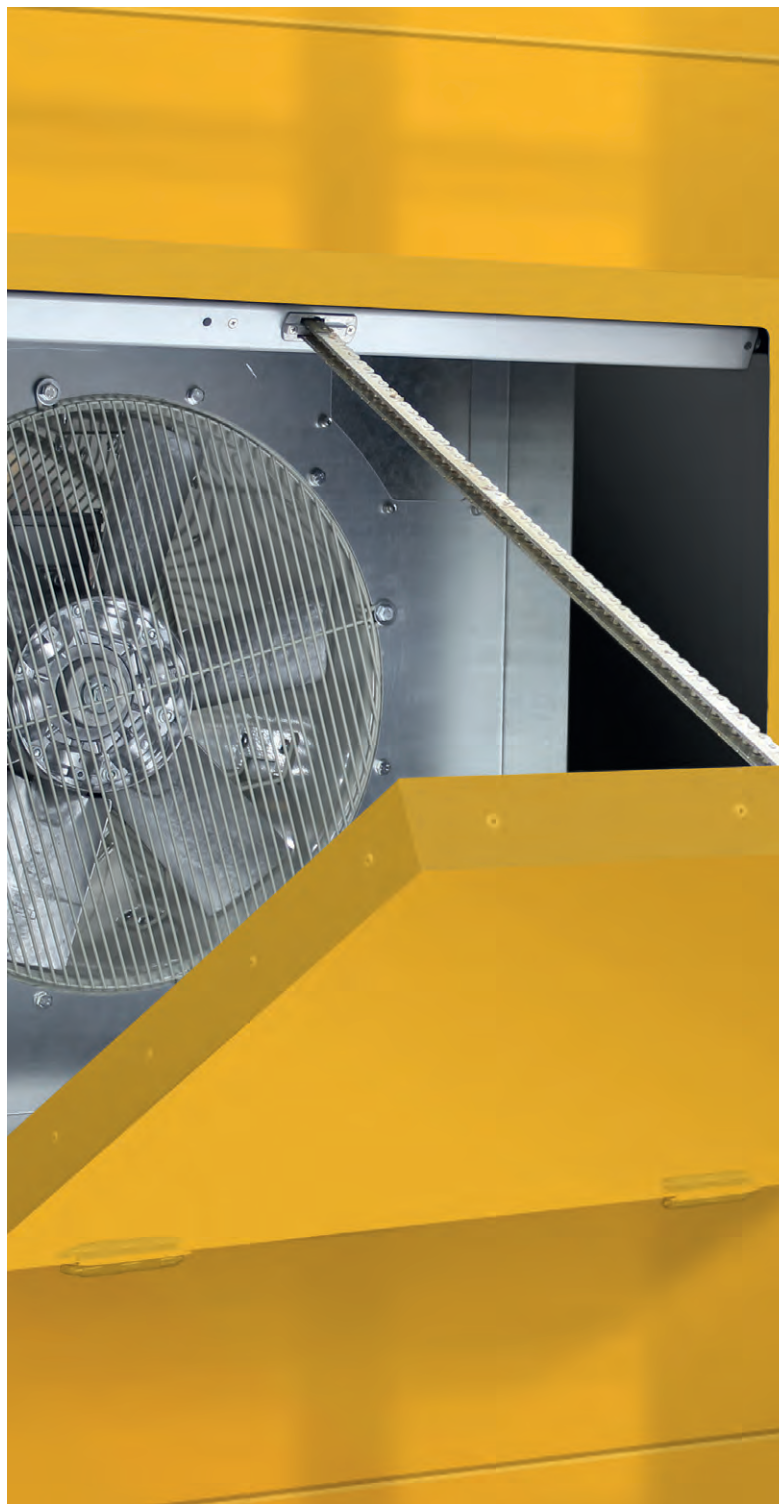
The HATCH systems are customised using anti-corrosive polyester resin paint, in the RAL colour of the client's choice or with vinyl sheets adapted to the image of the building surface.



CUSTOMISATION

Option of customising the hatch finish for the equipment installed on the façade, such as the THT/WALL.

As a result, the equipment is completely integrated with the building, especially when the hatch is closed.



ENERGY STUDY

STUDY EXAMPLE

AREA 3,170 m²

HEIGHT 8 m

VOLUME 25,360 m³

INDOOR TEMPERATURE 22°C

OUTDOOR TEMPERATURE -5.6°C

HEATING Aerotherms with a total of 250 kW/h

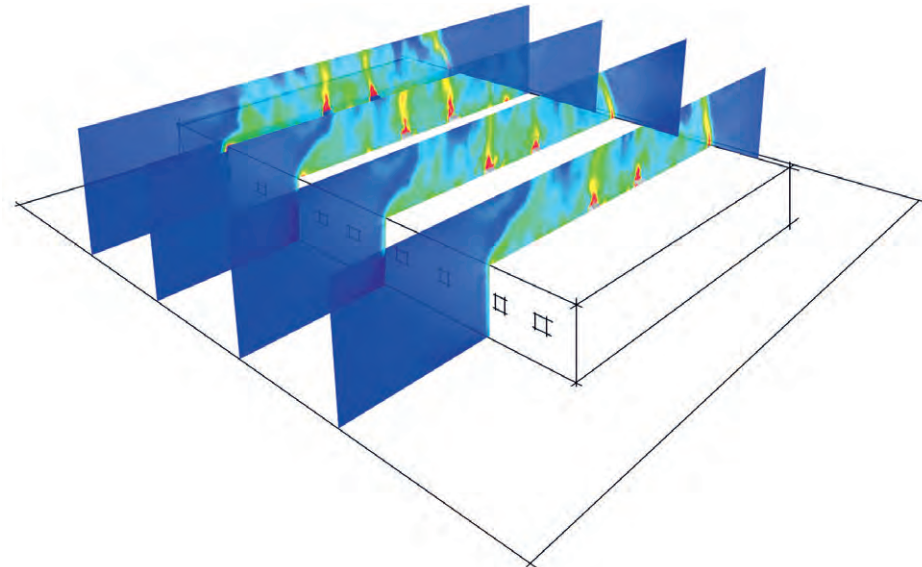
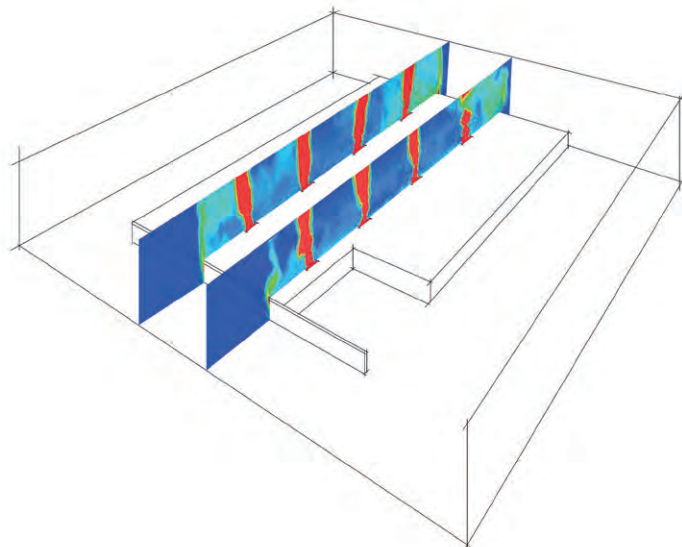
NUMBER OF FANS 8 on the roof and 12 on the façade

Proven efficiency

To calculate the heat loss in the different extract systems, equal terms are eliminated in the different case studies, thus eliminating losses on façades, roofs and other air entry and exit points other than the extractor fans, as they are all equal, regardless of the system used.

The following are adopted as continuous temperatures in all the systems:

- Indoor temperature: 22°C
- Outdoor temperature: -5.6°C
- Differential: 27.6°C



Automated HATCH type extractor system

As an example for calculation purposes, 8 size 100 Roof THT/ HATCH extractor fans installed on the roof and 12 Wall size 90 THT/WALL extractor fans installed on the façade are used. Considering the surface area, the heat transfer and changes in temperature, the total heat loss of all the extractor fans will be:

$$Q_{\text{total}} = 1.3 \text{ kW/h}$$

Current extractor fan system with free air exhaust

As an example for calculation purposes, 8 size 100 axial roof extractor fans installed on the roof and 12 axial extract fans installed on the façade are used. Considering the quantity of air that circulates from the interior to the exterior, the surface area, the heat transfer and changes in temperature, the total heat loss of all the extractor fans will be:

$$Q_{\text{total}} = 251 \text{ kW/h}$$

The difference in heat loss between both systems will be 249.7 kW/h



ENERGY SAVINGS

Comparison of heat loss in both systems

The difference in heat loss in favour of the HATCH system is equivalent to a difference in kW/h consumption. In the study conducted, the energy savings per hour with the new system will be 249.7 kW/h.

Comparison of the cost of energy consumed

Based on an average price of €0.1 /kW/h, the savings in heat loss equivalent to 249.7 kW/h for one day under the specified temperature conditions would be €600 /day for one week, meaning savings of €4,200 /week, or €18,000 /month.

Amortisation of the new equipment

The savings obtained at a time when energy savings are so important justify the investment in these new ventilation systems. In addition, they can be amortised in a very short space of time.

THT/WALL



Dynamic wall-mount extract fans with motorised hatch, for smoke exhaust in fires, 400°C/2h and 300°C/2h.

Dynamic wall-mount extractor fans with motorised opening system for connection to extract duct. Specially designed for the fast, effective exhaust of harmful smoke and gases in the event of fire. Suitable for installation in industrial buildings, stores or in any other type of building. Approved in accordance with standard EN -12101-3, with F-400 and F-300 certificate. Can be used for ambient ventilation.

Fan:

- An extremely robust structure that is able to withstand severe weather changes.
- Equipment structure made of anti-corrosive galvanised sheet steel.
- Water-tight design to prevent water entry.
- Heat insulation of 60 mm to prevent hot air loss in the winter.
- The wall mount bracket and helical ring support stand permit allow for correct, easy installation.
- With F-400 certificate number O370-CPR-2823 and F-300 certificate number O370-CPR-0973.
- Limit switch.
- Tubular casing in sheet steel with polyester resin anti-corrosive treatment.
- Variable angle rotors made of cast aluminium.
- Airflow direction from motor to impeller.

Motor:

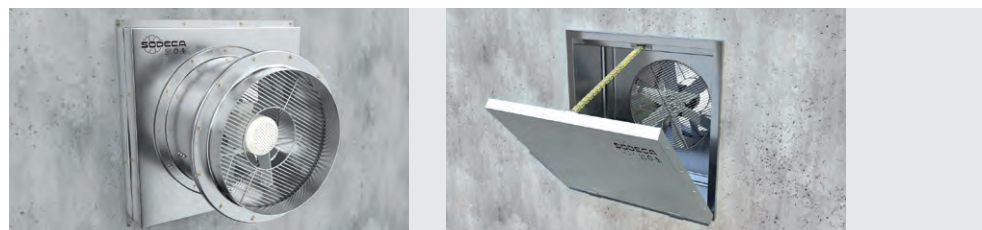
- Class H motors for S1 continuous operation and S2 emergency use. With ball bearings, IP55 protection and 1 or 2 speeds, depending on model.
- IE3 efficiency motors for powers equal to or greater than 0.75kW except single-phase, 2-speed and 8-pole.
- Three-phase 230/400V-50Hz (up to 3kW) and 400/690V-50Hz (powers greater than 3kW).
- Maximum temperature of air to be carried: S1 -20°C +40°C continuous service, also suitable for warm climates with temperatures up to 50°C. S2 operation, 300°C/2h, 400°C/2h.

Finish:

- Anti-corrosive finish on galvanised sheet steel.

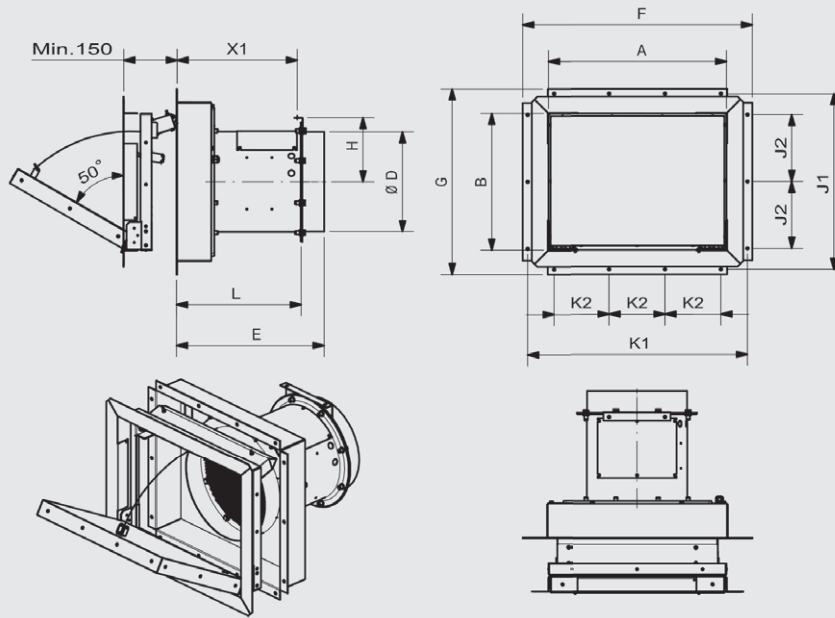
On request:

- Anti-corrosive paint finish, in the colour requested by the client.

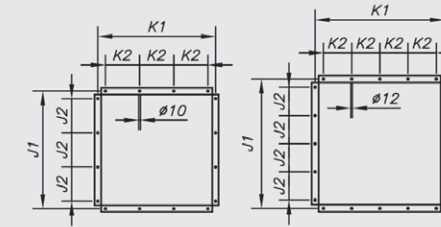


Model	Speed (r/min)	Max. admissible current (A)			Max. electric power (kW)	Blade inclination angle (°)	Max. airflow (m ³ /h)	Sound pressure level dB(A)	Approx. weight (kg)	According to ErP
		230 V	400 V	690 V						
THT/WALL-40-2T-1 IE3	2850	3.15	1.80		0.75	16	6115	72	112	2015
THT/WALL-40-2T-1.5 IE3	2880	4.70	2.70		1.10	20	7050	73	112	2015
THT/WALL-45-2T-2 IE3	2880	5.90	3.40		1.50	16	9405	75	113	2015
THT/WALL-45-2T-3 IE3	2840	8.70	5.00		2.20	22	11325	77	114	2015
THT/WALL-50-2T-4 IE3	2880	11.20	6.50		3.00	16	13860	79	139	2015
THT/WALL-50-2T-5.5 IE3	2870		9.30	5.40	4.00	20	15900	80	155	2015
THT/WALL-56-2T-5.5 IE3	2870		9.50	5.50	4.00	16	18840	85	155	2015
THT/WALL-56-2T-7.5 IE3	2910		10.60	6.14	5.50	22	22510	86	133	2015
THT/WALL-56-4T-2 IE3	1440	6.20	3.60		1.50	36	15020	72	134	2015
THT/WALL-63-4T-3 IE3	1425	9.00	5.20		2.20	32	22460	73	216	2015
THT/WALL-63-4T-4 IE3	1430	11.40	6.60		3.00	38	24460	74	225	2015
THT/WALL-63-6T-1 IE3	940	4.70	2.70		0.75	38	16025	63	206	2015
THT/WALL-71-4T-3 IE3	1425	9.00	5.20		2.20	22	25100	81	216	2015
THT/WALL-71-4T-4 IE3	1430	11.40	6.60		3.00	28	27500	82	225	2015
THT/WALL-71-4T-5.5 IE3	1440		8.40	4.80	4.00	38	32250	83	235	2015
THT/WALL-71-6T-1.5 IE3	945	5.50	3.20		1.10	34	19950	69	215	2015
THT/WALL-80-4T-3 IE3	1425	9.00	5.20		2.20	12	25545	79	219	2015
THT/WALL-80-4T-4 IE3	1430	11.40	6.60		3.00	16	30410	80	228	2015
THT/WALL-80-4T-5.5 IE3	1440		8.40	4.80	4.00	18	32940	81	234	2015
THT/WALL-80-4T-7.5 IE3	1460		12.60	7.30	5.50	26	39820	82	185	2015
THT/WALL-80-6T-1.5 IE3	945	5.50	3.20		1.10	18	21580	69	218	2015
THT/WALL-80-6T-2 IE3	945	7.40	4.30		1.50	26	26090	70	227	2015
THT/WALL-90-4T-7.5 IE3	1460		12.60	7.30	5.50	18	46325	88	341	2015
THT/WALL-90-4T-10 IE3	1460		17.70	10.20	7.50	22	50315	89	352	2015
THT/WALL-90-4T-15 IE3	1460		22.00	12.70	11.00	30	59610	90	326	2015
THT/WALL-90-6T-3 IE3	950	9.50	5.50		2.20	24	34055	75	314	2015
THT/WALL-90-6T-4 IE3	970	13.50	7.80		3.00	30	39055	76	340	2015
THT/WALL-100-4T-10 IE3	1460		17.70	10.20	7.50	16	57650	90	354	2015
THT/WALL-100-4T-15 IE3	1460		22.00	12.70	11.00	22	66505	91	407	2015
THT/WALL-100-4T-20 IE3	1460		29.00	16.70	15.00	28	76445	92	422	2015
THT/WALL-100-6T-5.5 IE3	970		11.00	6.40	4.00	26	47955	81	354	2015
THT/WALL-100-6T-7.5 IE3	970		12.40	7.20	5.50	32	53545	82	301	2015

THT/WALL



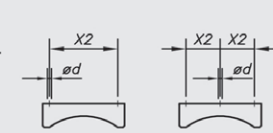
* Wall mount bracket



THT/WALL 40
THT/WALL 45
THT/WALL 50
THT/WALL 56
THT/WALL 63
THT/WALL 71
THT/WALL 80
THT/WALL 80

THT/WALL 90
THT/WALL 100

Helical ring support stand



THT/WALL 40

THT/WALL 45
THT/WALL 50
THT/WALL 56
THT/WALL 63
THT/WALL 71
THT/WALL 80
THT/WALL 90
THT/WALL 100

Model	A	B	F	G	ØD*	E	H	L	J1	J2	K1	K2	X1	X2	ød
THT/WALL-40	645	595	730	730	400	610	255	530	700	200	700	200	510	200	10
THT/WALL-45	645	595	730	730	450	610	280	530	700	200	700	200	510	200	12
THT/WALL-50	695	695	825	825	500	610	305	530	790	220	790	220	510	200	12
THT/WALL-56	695	695	875	875	560	610	340	530	790	220	790	220	510	215	13
THT/WALL-63	995	995	1085	1085	630	710	385	630	1050	300	1050	300	605	215	13
THT/WALL-71	995	995	1085	1085	710	710	445	630	1050	300	1050	300	605	225	13
THT/WALL-80	995	995	1145	1145	800	730	490	630	1050	300	1050	300	605	280	13
THT/WALL-90	1195	1195	1350	1350	900	830	550	730	1250	250	1250	250	705	280	18
THT/WALL-100	1195	1195	1345	1345	1000	830	600	730	1250	250	1250	250	705	280	18

(*) Recommended pipe nominal diameter • (A x B) Nominal wall opening size.

THT/WALL-F



Dynamic wall-mount extractor fans with motorised hatch, for smoke exhaust in fires, 400°C/2h and 300°C/2h.

Dynamic wall extractor fans with motorised opening system and protective grating for use without extract duct. Specially designed for the fast, effective exhaust of harmful smoke and gases in the event of fire. Suitable for installation in industrial buildings, stores or in any other type of building. Approved in accordance with standard EN -12101-3, with F-400 and F-300 certificate. Can be used for ambient ventilation.

Fan:

- An extremely robust structure that is able to withstand severe weather changes.
- Equipment structure made of anti-corrosive galvanised sheet steel.
- Water-tight design to prevent water entry.
- Heat insulation of 60 mm to prevent hot air loss in the winter.
- The wall mount bracket permits correct, easy installation.
- With F-400 certificate number O370-CPR-2823 and F-300 certificate number O370-CPR-0973
- Limit switch.
- Variable angle rotors made of cast aluminium.
- Airflow direction from motor to impeller.

Motor:

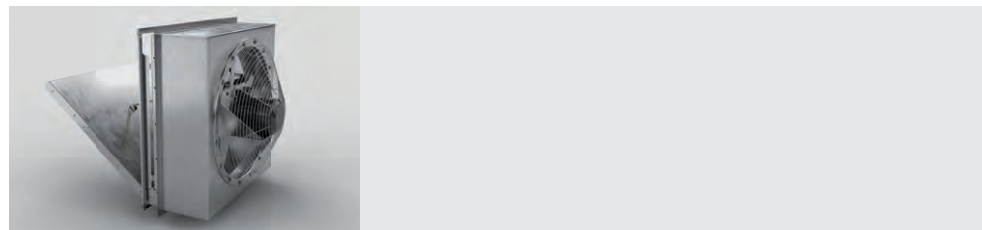
- Class H motors for S1 continuous operation and S2 emergency use. With ball bearings, IP55 protection and 1 or 2 speeds, depending on model.
- IE3 efficiency motors for powers equal to or greater than 0.75kW except single-phase, 2-speed and 8-pole.
- Three-phase 230/400V-50Hz (up to 3kW) and 400/690V-50Hz (powers greater than 3kW).
- Maximum temperature of air to be carried: S1 -20°C +40°C continuous service, also suitable for warm climates with temperatures up to 50°C. S2 operation, 300°C/2h, 400°C/2h.

Finish:

- Anti-corrosive finish on galvanised sheet steel.

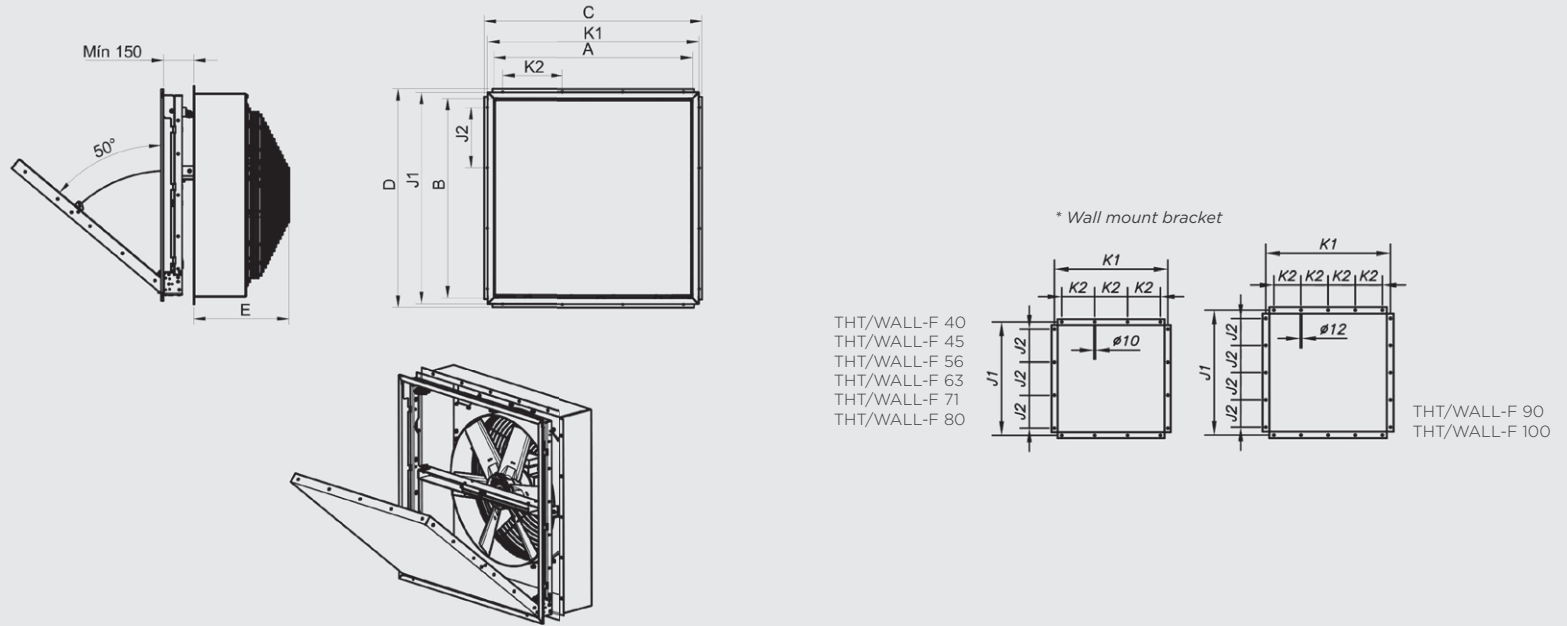
On request:

- Anti-corrosive paint finish, in the colour requested by the client.



Model	Speed (r/min)	Max. admissible current (A)			Max. electric power (kW)	Blade inclination angle (°)	Max. airflow (m³/h)	Sound pressure level dB(A)	Approx. weight (kg)	According to ErP
		230 V	400 V	690 V						
THT/WALL-F-40-2T-1.5 IE3	2880	4.70	2.70		1.10	20	7050	73	113	2015
THT/WALL-F-45-2T-2 IE3	2880	5.90	3.40		1.50	16	9405	75	114	2015
THT/WALL-F-45-2T-3 IE3	2840	8.70	5.00		2.20	22	11325	77	115	2015
THT/WALL-F-56-4T-2 IE3	1440	6.20	3.60		1.50	36	15020	72	136	2015
THT/WALL-F-63-4T-3 IE3	1425	9.00	5.20		2.20	32	22460	73	218	2015
THT/WALL-F-63-4T-4 IE3	1430	11.40	6.60		3.00	38	24460	74	227	2015
THT/WALL-F-71-4T-3 IE3	1425	9.00	5.20		2.20	22	25100	81	218	2015
THT/WALL-F-71-4T-4 IE3	1430	11.40	6.60		3.00	28	27500	82	227	2015
THT/WALL-F-71-6T-1.5 IE3	945	5.50	3.20		1.10	34	19950	69	215	2015
THT/WALL-F-80-4T-3 IE3	1425	9.00	5.20		2.20	12	25545	79	231	2015
THT/WALL-F-80-4T-4 IE3	1430	11.40	6.60		3.00	16	30410	80	240	2015
THT/WALL-F-80-4T-5.5 IE3	1440		8.40	4.80	4.00	18	32940	81	246	2015
THT/WALL-F-80-6T-1.5 IE3	945	5.50	3.20		1.10	18	21580	69	230	2015
THT/WALL-F-80-6T-2 IE3	945	7.40	4.30		1.50	26	26090	70	289	2015
THT/WALL-F-90-4T-7.5 IE3	1460		12.60	7.30	5.50	18	46325	88	362	2015
THT/WALL-F-90-4T-10 IE3	1460		17.70	10.20	7.50	22	50315	89	373	2015
THT/WALL-F-90-6T-3 IE3	950	9.50	5.50		2.20	24	34055	75	324	2015
THT/WALL-F-90-6T-4 IE3	970	13.50	7.80		3.00	30	39055	76	361	2015
THT/WALL-F-100-4T-10 IE3	1460		17.70	10.20	7.50	16	57650	90	366	2015
THT/WALL-F-100-4T-15 IE3	1460		22.00	12.70	11.00	22	66505	91	423	2015
THT/WALL-F-100-4T-20 IE3	1460		29.00	16.70	15.00	28	76445	92	438	2015
THT/WALL-F-100-6T-5.5 IE3	970		11.00	6.40	4.00	26	47955	81	366	2015

THT/WALL-F



Model	A	B	C	D	E	J1	J2	K1	K2
THT/WALL-F-40	645	595	730	730	375	700	200	700	200
THT/WALL-F-45	645	595	730	730	400	700	200	700	200
THT/WALL-F-56	695	695	875	875	415	790	220	790	220
THT/WALL-F-63	995	995	1085	1085	475	1050	300	1050	300
THT/WALL-F-71	995	995	1085	1085	500	1050	300	1050	300
THT/WALL-F-80	995	995	1145	1145	500	1050	300	1050	300
THT/WALL-F-90	1195	1195	1345	1345	525	1250	250	1250	250
THT/WALL-F-100	1195	1195	1345	1345	550	1250	250	1250	250

(A x B) Nominal wall opening size without frame accessory (PM).

WALL/DUCT



Dynamic extractor fans fitted with motorised hatch.

Wall-mounted axial fans with impeller made of fibreglass-reinforced plastic and a motorised opening function for connection to extract duct. Suitable for installation in industrial or commercial buildings. Can be used for ambient ventilation.

Fan:

- An extremely robust structure that is able to withstand severe weather changes.
- Equipment structure made of anti-corrosive galvanised sheet steel.
- Water-tight design to prevent water entry.
- Heat insulation of 60 mm to prevent hot air loss in the winter.
- The wall mount bracket and helical ring support stand permit allow for correct, easy installation.
- Limit switch.
- PL version impellers made from fibreglass-reinforced polyamide-6 and AL version in cast aluminium. Models 40-2T, 45-2T, 100-4T-15 and 100-4T-20 only in AL version.
- Tubular casing in sheet steel with external terminal box.
- Airflow direction from motor to impeller.

Motor:

- IE3 efficiency motors for powers equal to or greater than 0.75kW except single-phase, 2-speed and 8-pole.
- Class F motors with ball bearings and IP55 protection.

- Single-phase 230V-50Hz and three-phase 230/400V-50Hz (up to 4kW) and 400/690V 50Hz (powers greater than 4kW).
- Operating temperature: -25°C +60°C.

Finish:

- Anti-corrosive finish on galvanised sheet steel.

Available versions:

- AI: Hatch attached at the top part, motor-impeller air direction for air extract from premises.
- AA: Hatch attached at the top part, impeller-motor air direction for air entry to premises.

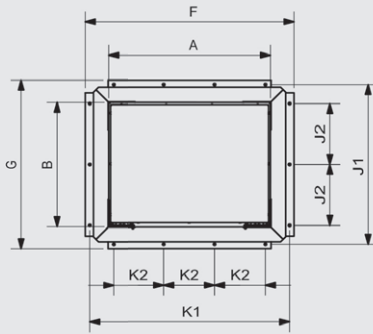
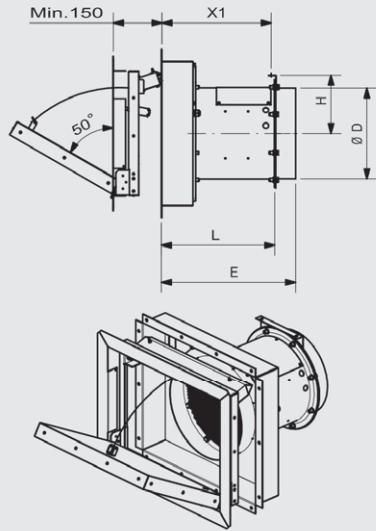
On request:

- Anti-corrosive paint finish, in the colour requested by the client.

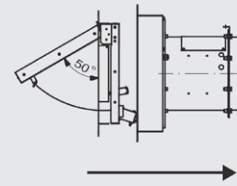
Model	Speed (r/min)	Max. admissible current (A)			Max. electric power (kW)	Maximum airflow (m³/h)	Sound pressure level dB(A)	Approx. weight (kg)	According to ErP
		230 V	400 V	690 V					
WALL/DUCT-40-2T-1.5 IE3	2830	4.03	2.34		1.10	8800	84	63	2015
WALL/DUCT-45-2T-2 IE3	2875	5.34	3.07		1.50	10650	86	71	2015
WALL/DUCT-45-2T-3 IE3	2910	7.32	4.21		2.20	12750	88	75	2015
WALL/DUCT-45-4T-0.5	1370	2.02	1.17		0.37	7100	68	60	2015
WALL/DUCT-50-4T-0.75	1380	2.92	1.69		0.55	10400	70	71	2015
WALL/DUCT-56-4T-1 IE3	1420	2.82	1.62		0.75	12950	73	77	2015
WALL/DUCT-56-4T-1.5 IE3	1455	4.07	2.34		1.10	14000	74	83	2015
WALL/DUCT-56-4T-2 IE3	1440	5.41	3.11		1.50	15300	75	89	2015
WALL/DUCT-56-6T-0.75	900	2.99	1.73		0.55	10000	62	76	2015
WALL/DUCT-63-4T-1 IE3	1420	2.82	1.62		0.75	14150	73	118	2015
WALL/DUCT-63-4T-1.5 IE3	1455	4.07	2.34		1.10	17000	74	124	2015
WALL/DUCT-63-4T-2 IE3	1440	5.41	3.11		1.50	18900	75	131	2015
WALL/DUCT-63-4T-3 IE3	1435	7.93	4.56		2.20	22100	76	133	2015
WALL/DUCT-63-4T-4 IE3	1440	10.7	6.15		3.00	25400	77	139	2015
WALL/DUCT-63-6T-0.75	900	2.99	1.73		0.55	12750	65	117	2015
WALL/DUCT-71-4T-2 IE3	1440	5.41	3.11		1.50	21100	79	136	2015
WALL/DUCT-71-4T-3 IE3	1435	7.93	4.56		2.20	23950	81	138	2015
WALL/DUCT-71-4T-4 IE3	1440	10.7	6.15		3.00	29400	82	144	2015
WALL/DUCT-71-6T-1 IE3	940	3.36	1.93		0.75	17250	68	131	2015
WALL/DUCT-71-6T-1.5 IE3	945	4.68	2.69		1.10	20950	69	136	2015
WALL/DUCT-80-4T-3 IE3	1435	7.93	4.56		2.20	28000	82	144	2015
WALL/DUCT-80-4T-4 IE3	1440	10.7	6.15		3.00	32700	83	150	2015
WALL/DUCT-80-4T-5.5 IE3	1450	13.9	8		4.00	37200	84	132	2015
WALL/DUCT-80-6T-1.5 IE3	945	4.68	2.69		1.10	24250	72	143	2015
WALL/DUCT-80-6T-2 IE3	950	6.43	3.7		1.50	28000	73	146	2015
WALL/DUCT-90-4T-5.5 IE3	1450	13.9	8		4.00	41850	89	191	2015
WALL/DUCT-90-4T-7.5 IE3	1465		10.3	5.97	5.50	47000	91	226	2015
WALL/DUCT-90-4T-10 IE3	1465		13.9	8.06	7.50	53000	92	230	2015
WALL/DUCT-90-6T-2 IE3	950	6.43	3.7		1.50	30000	77	185	2015
WALL/DUCT-90-6T-3 IE3	950	9.08	5.22		2.20	35000	78	190	2015
WALL/DUCT-90-6T-4 IE3	970	12	6.91		3.00	40000	79	208	2015
WALL/DUCT-100-4T-7.5 IE3	1465		10.3	5.97	5.50	52500	92	234	2015
WALL/DUCT-100-4T-10 IE3	1465		13.9	8.06	7.50	58500	93	237	2015
WALL/DUCT-100-4T-15 IE3	1470		20.9	12.1	11.00	68000	94	275	2015
WALL/DUCT-100-4T-20 IE3	1465		27.9	16.2	15.00	71850	95	286	2015
WALL/DUCT-100-6T-3 IE3	950	9.08	5.22		2.20	40500	82	197	2015
WALL/DUCT-100-6T-4 IE3	970	12	6.91		3.00	46950	83	215	2015
WALL/DUCT-100-6T-5.5 IE3	960	15.6	8.99		4.00	52000	84	221	2015

WALL/DUCT

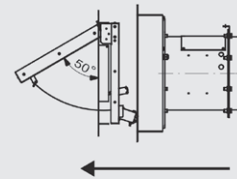
STANDARD VERSION



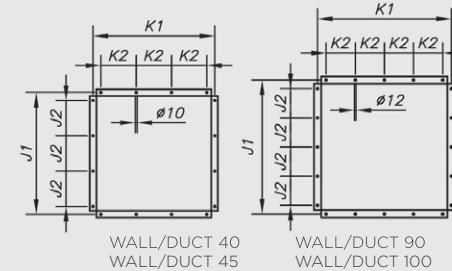
AA VERSION



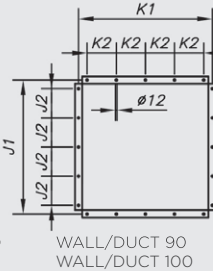
AI VERSION



* Wall mount bracket

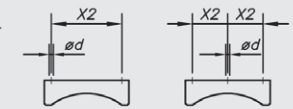


WALL/DUCT 40
WALL/DUCT 45
WALL/DUCT 50
WALL/DUCT 56
WALL/DUCT 63
WALL/DUCT 71
WALL/DUCT 80



WALL/DUCT 90
WALL/DUCT 100

Helical ring support stand



WALL/DUCT 40
WALL/DUCT 45
WALL/DUCT 50
WALL/DUCT 56
WALL/DUCT 63
WALL/DUCT 71
WALL/DUCT 80
WALL/DUCT 90
WALL/DUCT 100

Model	A	B	F	G	ØD*	ØD*	H	L	J1	J2	K1	K2	X1	X2	Ød
WALL/DUCT-40	645	595	730	730	400	610	255	530	700	200	700	200	510	200	10
WALL/DUCT-45	645	595	730	730	450	610	280	530	700	200	700	200	510	200	12
WALL/DUCT-50	695	695	825	825	500	610	305	530	790	220	790	220	510	200	12
WALL/DUCT-56	695	695	875	875	560	610	340	530	790	220	790	220	510	215	13
WALL/DUCT-63	995	995	1085	1085	630	710	385	630	1050	300	1050	300	605	215	13
WALL/DUCT-71	995	995	1085	1085	710	710	445	630	1050	300	1050	300	605	225	13
WALL/DUCT-80	995	995	1145	1145	800	730	490	630	1050	300	1050	300	605	280	13
WALL/DUCT-90	1195	1195	1350	1350	900	830	550	730	1250	250	1250	250	705	280	18
WALL/DUCT-100	1195	1195	1345	1345	1000	830	600	730	1250	250	1250	250	705	280	18

(*) Recommended pipe nominal diameter • (A x B) Nominal wall opening size.

WALL/FREE



Dynamic wall-mount extractor fans fitted with motorised hatch.

Dynamic wall extractor fans with motorised opening system and protective grating for use without extract duct. Suitable for installation in industrial buildings, stores or in any other type of building. Can be used for ambient ventilation.

Fan:

- An extremely robust structure that is able to withstand severe weather changes.
- Equipment structure made of anti-corrosive galvanised sheet steel.
- Water-tight design to prevent water entry.
- Heat insulation of 60 mm to prevent hot air loss in the winter.
- The wall mount bracket permits correct, easy installation.
- Limit switch.
- Variable angle rotors made of cast aluminium.
- Airflow direction from motor to impeller.

Motor:

- IE3 efficiency motors for powers equal to or greater than 0.75kW except single-phase, 2-speed and 8-pole.
- Class F motors with ball bearings, IP55 protection, except single-phase models from size 45 to size 56, IP54 protection.
- 1 or 2 speeds, depending on model.

- Single-phase 230V-50Hz and three-phase 230/400V-50Hz (up to 4kW) and 400/690V-50Hz (powers greater than 4kW).
- Operating temperature: -25°C +50°C

Finish:

- Anti-corrosive finish on galvanised sheet steel.

Available versions:

- AI: Hatch attached at the top part, motor-impeller air direction for air extract from premises.
- AA: Hatch attached at the top part, impeller-motor air direction for air entry to premises.

On request:

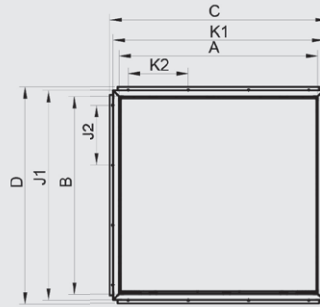
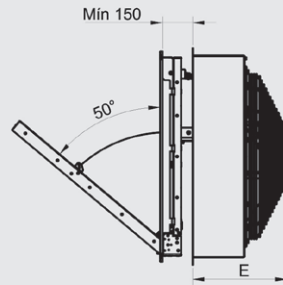
- Anti-corrosive paint finish, in the colour requested by the client.



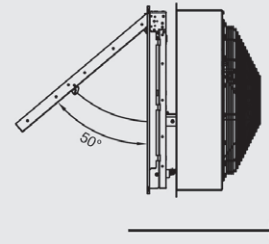
Model	Speed (r/min)	Max. admissible current (A)			Max. electric power (kW)	Blade inclination angle (°)	Max. airflow (m ³ /h)	Sound pressure level dB(A)	Approx. weight (kg)	According to ErP
		230 V	400 V	690 V						
WALL/FREE-40-2T-1.5 IE3	2830	4.03	2.34		1.1	20	7050	73	113	2015
WALL/FREE-45-2T-2 IE3	2875	5.34	3.07		1.5	16	9405	75	114	2015
WALL/FREE-45-2T-3 IE3	2910	7.32	4.21		2.2	22	11325	77	115	2015
WALL/FREE-56-4T-2 IE3	1440	5.41	3.11		1.5	36	15020	72	136	2015
WALL/FREE-63-4T-3 IE3	1435	7.93	4.56		2.2	32	22460	73	218	2015
WALL/FREE-63-4T-4 IE3	1440	10.7	6.15		3	38	24460	74	227	2015
WALL/FREE-71-4T-3 IE3	1435	7.93	4.56		2.2	22	25100	81	218	2015
WALL/FREE-71-4T-4 IE3	1440	10.7	6.15		3	28	27500	82	227	2015
WALL/FREE-71-6T-1.5 IE3	945	4.68	2.69		1.1	34	19950	69	215	2015
WALL/FREE-80-4T-3 IE3	1435	7.93	4.56		2.2	12	25545	79	231	2015
WALL/FREE-80-4T-4 IE3	1440	10.7	6.15		3	16	30410	80	240	2015
WALL/FREE-80-4T-5.5 IE3	1450	13.9	8		4	18	32940	81	246	2015
WALL/FREE-80-6T-1.5 IE3	945	4.68	2.69		1.1	18	21580	69	230	2015
WALL/FREE-80-6T-2 IE3	950	6.43	3.7		1.5	26	26090	70	289	2015
WALL/FREE-90-4T-7.5 IE3	1465		10.3	5.97	5.5	18	46325	88	362	2015
WALL/FREE-90-4T-10 IE3	1465		13.9	8.06	7.5	22	50315	89	373	2015
WALL/FREE-90-6T-3 IE3	950	9.08	5.22		2.2	24	34055	75	324	2015
WALL/FREE-90-6T-4 IE3	970	12	6.91		3	30	39055	76	361	2015
WALL/FREE-100-4T-10 IE3	1465		13.9	8.06	7.5	16	57650	90	366	2015
WALL/FREE-100-4T-15 IE3	1470		20.9	12.1	11	22	66505	91	423	2015
WALL/FREE-100-4T-20 IE3	1465		27.9	16.2	15	28	76445	92	438	2015
WALL/FREE-100-6T-5.5 IE3	960	15.6	8.99		4	26	47955	81	366	2015

WALL/FREE

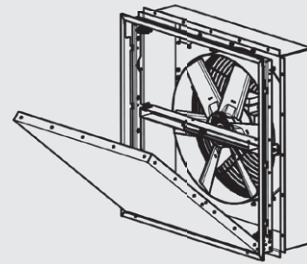
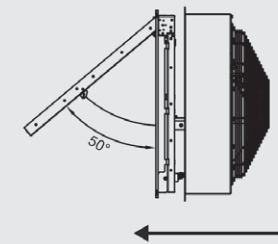
STANDARD VERSION



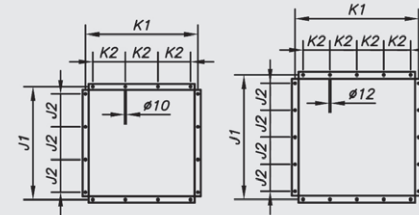
AA VERSION



AI VERSION



* Wall mount bracket



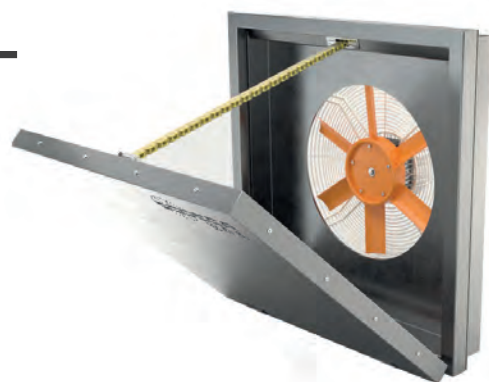
- WALL/FREE 40
- WALL/FREE 45
- WALL/FREE 56
- WALL/FREE 63
- WALL/FREE 71
- WALL/FREE 80

- WALL/FREE 90
- WALL/FREE 100

Model	A	B	C	D	E	J1	J2	K1	K2
WALL/FREE-40	645	595	730	730	375	700	200	700	200
WALL/FREE-45	645	595	730	730	400	700	200	700	200
WALL/FREE-56	695	695	875	875	415	790	220	790	220
WALL/FREE-63	995	995	1085	1085	475	1050	300	1050	300
WALL/FREE-71	995	995	1085	1085	500	1050	300	1050	300
WALL/FREE-80	995	995	1145	1145	500	1050	300	1050	300
WALL/FREE-90	1195	1195	1345	1345	525	1250	250	1250	250
WALL/FREE-100	1195	1195	1345	1345	550	1250	250	1250	250

(A x B) Nominal wall opening size without frame accessory (PM).

WALL/AXIAL



Dynamic wall-mount axial extract fans fitted with motorised hatch.

Wall-mounted axial fans with an impeller made of fibreglass-reinforced plastic and a motorised opening function. Suitable for installation in industrial or commercial buildings. Can be used for ambient ventilation.

Fan:

- An extremely robust structure that is able to withstand severe weather changes.
- Equipment structure made of anti-corrosive galvanised sheet steel.
- Water-tight design to prevent water entry.
- Heat insulation of 60 mm to prevent hot air loss in the winter.
- The wall mount bracket and helical ring support stand permit allow for correct, easy installation.
- Limit switch.
- Sheet steel support base.
- Fibreglass-reinforced polyamide-6 impeller.
- Anti-contact protective grille pursuant to standard UNE-EN ISO 12499.
- In the 71 models, the protective grille is supplied as an accessory.
- Airflow direction from motor to impeller.

Motor:

- IE3 efficiency motors for powers equal to or greater than 0.75kW except single-phase, 2-speed and 8-pole.
- Class F motors with ball bearings and IP55 protection.

- Single-phase 230V-50Hz and three-phase 230/400V-50Hz (up to 4kW) and 400/690V 50Hz (powers greater than 4kW).
- Operating temperature: -25°C +60°C.

Finish:

- Anti-corrosive finish on galvanised sheet steel.

Available versions:

- AI: Hatch attached at the top part, motor-impeller air direction for air extract from premises.
- AA: Hatch attached at the top part, impeller-motor air direction for air entry to premises.

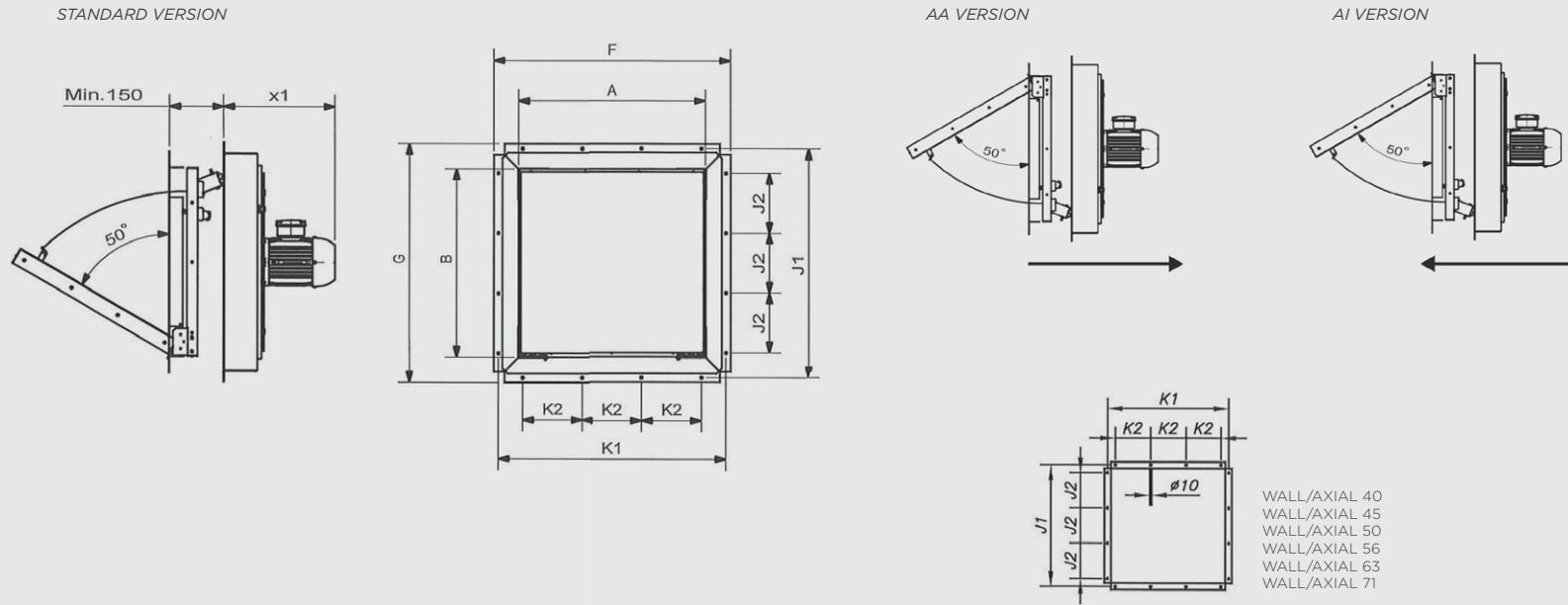
On request:

- Anti-corrosive paint finish, in the colour requested by the client.
- Motorised opening arms with supply voltage of 24V. DC



Model	Speed (r/min)	Max. admissible current (A)		Installed power (kW)	Max. airflow (m³/h)	Sound pressure level dB(A)	Approx. weight (kg)	According to ErP
		230 V	400 V					
WALL/AXIAL-40-4T	1350	1.66	0.96	0.25	5200	63	43	2015
WALL/AXIAL-45-4T	1370	2.02	1.17	0.37	7300	66	47	2015
WALL/AXIAL-50-4T	1380	2.92	1.69	0.55	10200	69	58	2015
WALL/AXIAL-50-6T	900	2.24	1.30	0.37	6300	59	58	2015
WALL/AXIAL-56-4T IE3	1455	4.07	2.34	1.10	13000	72	69	2015
WALL/AXIAL-56-6T	900	2.24	1.30	0.37	8300	61	60	2015
WALL/AXIAL-63-4T IE3	1455	4.07	2.34	1.10	16450	74	100	2015
WALL/AXIAL-63-6T	900	2.24	1.30	0.37	12350	64	91	2015
WALL/AXIAL-71-4T IE3	1440	5.41	3.11	1.50	22150	78	116	2015
WALL/AXIAL-71-6T IE3	940	3.36	1.93	0.75	17300	66	112	2015

WALL/AXIAL



Model	A	B	F	G	x1	J1	J2	K1	K2
WALL/AXIAL-40	645	595	730	730	400	700	200	700	200
WALL/AXIAL-45	645	645	730	730	405	700	200	700	200
WALL/AXIAL-50	695	695	825	825	455	790	220	790	220
WALL/AXIAL-56	695	695	825	875	485	840	220	790	220
WALL/AXIAL-63	995	995	1085	1085	480	1050	300	1050	300
WALL/AXIAL-71	995	995	1085	1085	480	1050	300	1050	300

THT/HATCH



400°C/2h and 300°C/2h rated dynamic discharge system with motorised opening function, fitted with roof-mounted extractor, for smoke exhaust in the event of fire

Dynamic discharge systems with roof-mounted extract fans and motorised opening function. Specially designed for the fast, effective exhaust of harmful smoke and gases in the event of fire. Suitable for installation in industrial or commercial buildings. Approved in accordance with standard EN 12101-3, with F-400 and F-300 certificate. The rapid smoke extract permits the efficient intervention of fire fighters, fast evacuation of people and prevents new sources of fire and greater structural damage to the building. Can also be used for ambient ventilation in the buildings in which it is installed.

Fan:

- An extremely robust structure that is able to withstand severe weather changes.
- Equipment structure made of anti-corrosive galvanised sheet steel.
- Water-tight design to prevent water entry.
- Heat insulation of 60mm to prevent hot air loss in the winter.
- Adaptable skirting for correct, easy installation on the roof.
- Maintenance switch fitted with NA/NC auxiliary contact to control equipment disconnection.
- Roof-mounted extract fans with F-400 certificate no. 0370-CPR-1827 and F-300 certificate no. 0370-CPR-0973.
- Tubular casing in sheet steel with polyester resin anti-corrosive treatment.
- Cast aluminium orientable rotors.

Opening system:

- Motorised opening arms, with encapsulated IP-65 mechanism.
- Supply voltage 230 V, AC 50Hz.
- Reinforced, guaranteed system with more than 10,000 operations at maximum load.
- Maximum load 1000 Nw.

- Automatic opening function via external control system signal (fire station, smoke detector...) Control systems not included in the supply.
- Limit switch to signal the hatch position.

Motor:

- Class H motors, S1 continuous operation and S2 emergency use, with ball bearings and IP55 protection.
- IE3 efficiency motors for powers equal to or greater than 0.75 kW except single-phase, 2-speed and 8-pole.
- Three-phase 230/400V-50Hz (up to 3kW) and 400/690V-50Hz (powers greater than 3kW).
- Maximum temperature of air to be carried: S1 -25°C +40°C continuous service, also suitable for warm climates with temperatures up to 50°C. S2 operation, 300°C/2h, 400°C/2h.

Finish:

- Anti-corrosive finish on galvanised sheet steel.

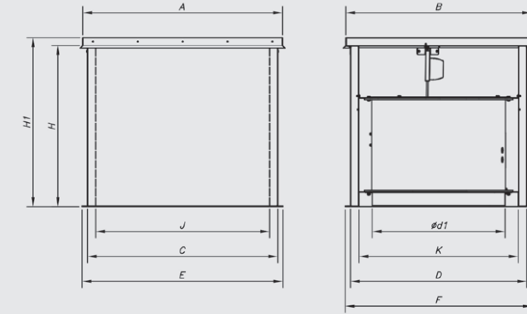
On request:

- Polyester resin anti-corrosive paint finish.
- Motorised opening arms with supply voltage of 24V. DC

Model	Speed (r/min)	Max. admissible current (A)			Max. electric power (kW)	Maximum airflow (m³/h)	Sound pressure level dB(A)	Approx. weight (kg)	According to ErP
		230 V	400 V	690 V					
THT/HATCH-40-2T-1 IE3	2850	3.15	1.80		0.75	6115	72	184	2015
THT/HATCH-40-2T-1.5 IE3	2880	4.70	2.70		1.10	7050	73	188	2015
THT/HATCH-45-2T-2 IE3	2880	5.90	3.40		1.50	9405	75	193	2015
THT/HATCH-45-2T-3 IE3	2840	8.70	5.00		2.20	11325	77	194	2015
THT/HATCH-50-2T-4 IE3	2880	11.20	6.50		3.00	13860	79	206	2015
THT/HATCH-56-2T-5.5 IE3	2870		9.50	5.50	4.00	18840	85	226	2015
THT/HATCH-56-2T-7.5 IE3	2910		10.60	6.14	5.50	22510	86	237	2015
THT/HATCH-63-4T-3 IE3	1425	9.00	5.20		2.20	22460	73	262	2015
THT/HATCH-63-4T-4 IE3	1430	11.40	6.60		3.00	24460	74	271	2015
THT/HATCH-63-6T-1 IE3	940	4.70	2.70		0.75	16025	63	252	2015
THT/HATCH-80-4T-3 IE3	1425	9.00	5.20		2.20	25545	79	280	2015
THT/HATCH-80-4T-4 IE3	1430	11.40	6.60		3.00	30410	80	289	2015
THT/HATCH-80-4T-5.5 IE3	1440		8.40	4.80	4.00	32940	81	295	2015
THT/HATCH-80-4T-7.5 IE3	1460		12.60	7.30	5.50	39820	82	311	2015
THT/HATCH-80-6T-1.5 IE3	945	5.50	3.20		1.10	21580	69	279	2015
THT/HATCH-80-6T-2 IE3	945	7.40	4.30		1.50	26090	70	288	2015
THT/HATCH-90-4T-7.5 IE3	1460		12.60	7.30	5.50	46325	88	392	2015
THT/HATCH-90-4T-10 IE3	1460		17.70	10.20	7.50	50315	89	403	2015
THT/HATCH-90-4T-15 IE3	1460		22.00	12.70	11.00	59610	90	456	2015
THT/HATCH-90-6T-3 IE3	950	9.50	5.50		2.20	34055	75	365	2015
THT/HATCH-90-6T-4 IE3	970	13.50	7.80		3.00	39055	76	391	2015
THT/HATCH-100-4T-10 IE3	1460		17.70	10.20	7.50	57650	90	413	2015
THT/HATCH-100-4T-15 IE3	1460		22.00	12.70	11.00	66505	91	466	2015
THT/HATCH-100-4T-20 IE3	1460		29.00	16.70	15.00	76445	92	481	2015
THT/HATCH-100-6T-5.5 IE3	970		11.00	6.40	4.00	47955	81	413	2015
THT/HATCH-100-6T-7.5 IE3	970		12.40	7.20	5.50	53545	82	420	2015

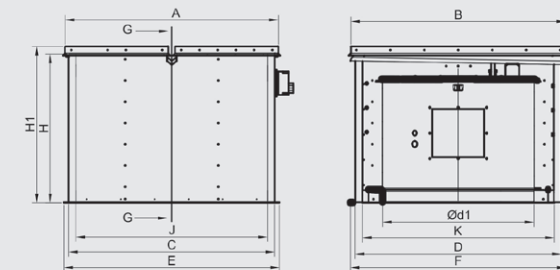
Model	Speed (r/min)	Max. admissible current (A)			Max. electric power (kW)	Maximum airflow (m ³ /h)	Sound pressure level dB(A)	Approx. weight (kg)	According to ErP
		230 V	400 V	690 V					
THT/HATCH-125-4T/3-25 IE3	1465		37.00	21.36	18.50	98350	88	737	2015
THT/HATCH-125-4T/3-30 IE3	1470		42.00	24.25	22.00	110350	89	751	2015
THT/HATCH-125-4T/3-40 IE3	1475		58.00	33.49	30.00	125000	90	832	2015
THT/HATCH-125-4T/6-25 IE3	1465		37.00	21.36	18.50	92550	87	746	2015
THT/HATCH-125-4T/6-30 IE3	1470		42.00	24.25	22.00	98850	87	760	2015
THT/HATCH-125-4T/6-40 IE3	1475		58.00	33.49	30.00	117450	89	841	2015
THT/HATCH-125-4T/6-50 IE3	1480		73.00	42.15	37.00	131050	90	889	2015
THT/HATCH-125-4T/9-25 IE3	1465		37.00	21.36	18.50	79650	85	755	2015
THT/HATCH-125-4T/9-30 IE3	1470		42.00	24.25	22.00	88300	86	769	2015
THT/HATCH-125-4T/9-40 IE3	1475		58.00	33.49	30.00	104050	88	850	2015
THT/HATCH-125-4T/9-50 IE3	1480		73.00	42.15	37.00	118400	90	898	2015
THT/HATCH-125-6T/3-4 IE3	945	15.00	8.70		3.00	46750	77	590	2015
THT/HATCH-125-6T/3-5.5 IE3	970		11.00	6.35	4.00	55400	78	602	2015
THT/HATCH-125-6T/3-7.5 IE3	970		14.00	8.08	5.50	68400	79	609	2015
THT/HATCH-125-6T/3-10 IE3	960		18.60	10.74	7.50	79150	81	634	2015
THT/HATCH-125-6T/3-15 IE3	955		26.00	15.01	11.00	87150	82	664	2015
THT/HATCH-125-6T/3-20 IE3	950		35.50	20.50	15.00	91650	83	737	2015
THT/HATCH-125-6T/6-5.5 IE3	970		11.00	6.35	4.00	51500	75	611	2015
THT/HATCH-125-6T/6-7.5 IE3	970		14.00	8.08	5.50	60650	75	618	2015
THT/HATCH-125-6T/6-10 IE3	960		18.60	10.74	7.50	72650	77	643	2015
THT/HATCH-125-6T/6-15 IE3	955		26.00	15.01	11.00	85850	79	673	2015
THT/HATCH-125-6T/6-20 IE3	950		35.50	20.50	15.00	92850	80	746	2015
THT/HATCH-125-6T/9-10 IE3	960		18.60	10.74	7.50	63500	76	652	2015
THT/HATCH-125-6T/9-15 IE3	955		26.00	15.01	11.00	77550	79	682	2015
THT/HATCH-125-6T/9-20 IE3	950		35.50	20.50	15.00	92950	82	755	2015

THT/HATCH 40 ... 100



Model	A	B	C	D	Ød1	E	F	H	H1	J	K
THT/HATCH-40	1100	990	1022	920	400	1100	1000	940	1000	900	800
THT/HATCH-45	1100	990	1022	920	450	1100	1000	940	1000	900	800
THT/HATCH-50	1100	990	1022	920	500	1100	1000	940	1000	900	800
THT/HATCH-56	1100	990	1022	920	560	1100	1000	940	1000	900	800
THT/HATCH-63	1295	1195	1222	1122	630	1300	1200	940	1000	1100	1000
THT/HATCH-80	1295	1195	1222	1122	800	1300	1200	940	1000	1100	1000
THT/HATCH-90	1492	1392	1420	1320	900	1500	1400	940	1000	1300	1200
THT/HATCH-100	1492	1392	1420	1320	1000	1500	1400	940	1000	1300	1200

THT/HATCH-125



Model	A	B	C	D	Ød1	E	F	H	H1	J	K
THT/HATCH-125	1750	1775	1700	1700	1245	1780	1780	1230	1290	1580	1580

HCT/HATCH



Dynamic discharge systems with motorised opening function fitted with roof-mount extract fan.

Dynamic discharge systems with roof-mounted extract fans and motorised opening function. Suitable for installation in industrial or commercial buildings. Can also be used for ambient ventilation in the buildings in which it is installed.

Fan:

- An extremely robust structure that is able to withstand severe weather changes.
- Equipment structure made of anti-corrosive galvanised sheet steel.
- Water-tight design to prevent water entry.
- Heat insulation of 60mm to prevent hot air loss in the winter.
- Adaptable skirting for correct, easy installation on the roof.
- Maintenance switch fitted with NA/NC auxiliary contact to control equipment disconnection.
- Tubular casing in sheet steel with polyester resin anti-corrosive treatment.
- Cast aluminium rotors.
- 125 rotors made of cast aluminium with 3, 6 or 9 blades with adjustable angle of inclination.

Opening system:

- Motorised opening arms, with encapsulated IP-65 mechanism.
- Supply voltage 230 V, AC 50Hz.
- Reinforced, guaranteed system with more than 10,000 operations at maximum load.
- Maximum load 1000 Nw.

- Automatic opening function via external control system signal (fire station, smoke detector...) Control systems not included in the supply.
- Limit switch to signal the hatch position.

Motor:

- IE3 efficiency motors for powers equal to or greater than 0.75kW except single-phase, 2-speed and 8-pole.
- Class F motors with ball bearings and IP55 protection.
- Three-phase 230/400V-50Hz (up to 4kW) and 400/690V-50Hz (powers higher than 4kW).
- Operating temperature: -25°C +50°C

Finish:

- Anti-corrosive finish on galvanised sheet steel.

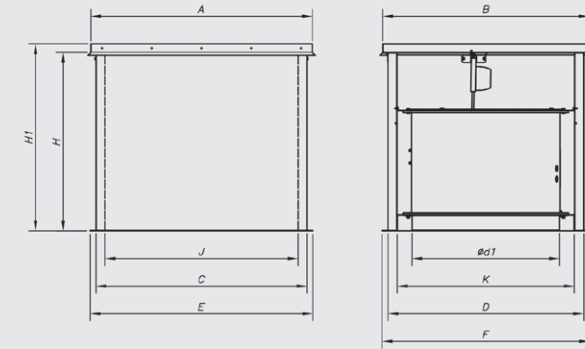
On request:

- Polyester resin anti-corrosive paint finish.
- Motorised opening arms with supply voltage of 24V. DC

Model	Speed (r/min)	Max. admissible current (A)			Max. electric power (kW)	Maximum airflow (m³/h)	Sound pressure level dB(A)	Approx. weight (kg)	According to ErP
		230 V	400 V	690 V					
HCT/HATCH-40-2T-1.5 IE3	2830	4.03	2.34		1.10	8800	84	63	2015
HCT/HATCH-45-2T-2 IE3	2875	5.34	3.07		1.50	10650	86	71	2015
HCT/HATCH-45-2T-3 IE3	2910	7.32	4.21		2.20	12750	88	75	2015
HCT/HATCH-45-4T-0.5	1370	2.02	1.17		0.37	7100	68	60	2015
HCT/HATCH-50-4T-0.75	1380	2.92	1.69		0.55	10400	70	71	2015
HCT/HATCH-56-4T-1 IE3	1420	2.82	1.62		0.75	12950	73	77	2015
HCT/HATCH-56-4T-1.5 IE3	1455	4.07	2.34		1.10	14000	74	83	2015
HCT/HATCH-56-4T-2 IE3	1440	5.41	3.11		1.50	15300	75	89	2015
HCT/HATCH-56-6T-0.75	900	2.99	1.73		0.55	10000	62	76	2015
HCT/HATCH-63-4T-1 IE3	1420	2.82	1.62		0.75	14150	73	118	2015
HCT/HATCH-63-4T-1.5 IE3	1455	4.07	2.34		1.10	17000	74	124	2015
HCT/HATCH-63-4T-2 IE3	1440	5.41	3.11		1.50	18900	75	131	2015
HCT/HATCH-63-4T-3 IE3	1435	7.93	4.56		2.20	22100	76	133	2015
HCT/HATCH-63-4T-4 IE3	1440	10.70	6.15		3.00	25400	77	139	2015
HCT/HATCH-63-6T-0.75	900	2.99	1.73		0.55	12750	65	117	2015
HCT/HATCH-71-4T-2 IE3	1440	5.41	3.11		1.50	21100	79	136	2015
HCT/HATCH-71-4T-3 IE3	1435	7.93	4.56		2.20	23950	81	138	2015
HCT/HATCH-71-4T-4 IE3	1440	10.70	6.15		3.00	29400	82	144	2015
HCT/HATCH-71-6T-1 IE3	940	3.36	1.93		0.75	17250	68	131	2015
HCT/HATCH-71-6T-1.5 IE3	945	4.68	2.69		1.10	20950	69	136	2015
HCT/HATCH-80-4T-3 IE3	1435	7.93	4.56		2.20	28000	82	144	2015
HCT/HATCH-80-4T-4 IE3	1440	10.70	6.15		3.00	32700	83	150	2015
HCT/HATCH-80-4T-5.5 IE3	1450	13.90	8.00		4.00	37200	84	132	2015
HCT/HATCH-80-6T-1.5 IE3	945	4.68	2.69		1.10	24250	72	143	2015
HCT/HATCH-80-6T-2 IE3	950	6.43	3.70		1.50	28000	73	146	2015
HCT/HATCH-90-4T-5.5 IE3	1450	13.90	8.00		4.00	41850	89	191	2015
HCT/HATCH-90-4T-7.5 IE3	1465		10.30	5.97	5.50	47000	91	226	2015
HCT/HATCH-90-4T-10 IE3	1465		13.90	8.06	7.50	53000	92	230	2015
HCT/HATCH-90-6T-2 IE3	950	6.43	3.70		1.50	30000	77	185	2015
HCT/HATCH-90-6T-3 IE3	950	9.08	5.22		2.20	35000	78	190	2015
HCT/HATCH-90-6T-4 IE3	970	12.00	6.91		3.00	40000	79	208	2015
HCT/HATCH-100-4T-7.5 IE3	1465		10.30	5.97	5.50	52500	92	234	2015

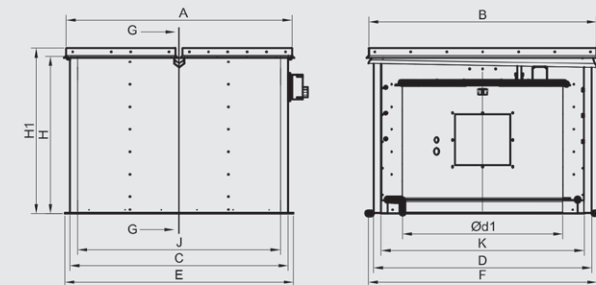
Model	Speed (r/min)	Max. admissible current (A)			Max. electric power (kW)	Maximum airflow (m ³ /h)	Sound pressure level dB(A)	Approx. weight (kg)	According to ErP
		230 V	400 V	690 V					
HCT/HATCH-100-4T-10 IE3	1465		13.90	8.06	7.50	58500	93	237	2015
HCT/HATCH-100-4T-15 IE3	1470		20.90	12.10	11.00	68000	94	275	2015
HCT/HATCH-100-4T-20 IE3	1465		27.90	16.20	15.00	71850	95	286	2015
HCT/HATCH-100-6T-3 IE3	950	9.08	5.22		2.20	40500	82	197	2015
HCT/HATCH-100-6T-4 IE3	970	12.00	6.91		3.00	46950	83	215	2015
HCT/HATCH-100-6T-5.5 IE3	960	15.60	8.99		4.00	52000	84	221	2015
HCT/HATCH-125-4T/3-25 IE3	1470		35.10	20.30	18.50	98350	91	363	2015
HCT/HATCH-125-4T/3-30 IE3	1470		41.00	23.80	22.00	110500	92	363	2015
HCT/HATCH-125-4T/3-40 IE3	1480		57.10	33.10	30.00	120850	93	468	2015
HCT/HATCH-125-4T/6-25 IE3	1470		35.10	20.30	18.50	92000	90	372	2015
HCT/HATCH-125-4T/6-30 IE3	1470		41.00	23.80	22.00	98100	90	372	2015
HCT/HATCH-125-4T/6-40 IE3	1480		57.10	33.10	30.00	117000	92	477	2015
HCT/HATCH-125-4T/6-50 IE3	1480		69.20	40.10	37.00	123700	93	560	2015
HCT/HATCH-125-4T/9-25 IE3	1470		35.10	20.30	18.50	79750	88	381	2015
HCT/HATCH-125-4T/9-30 IE3	1470		41.00	23.80	22.00	97000	89	381	2015
HCT/HATCH-125-4T/9-40 IE3	1480		57.10	33.10	30.00	111200	91	486	2015
HCT/HATCH-125-4T/9-50 IE3	1480		69.20	40.10	37.00	118350	93	569	2015
HCT/HATCH-125-6T/3-4 IE3	970	12.00	6.91		3.00	46550	79	204	2015
HCT/HATCH-125-6T/3-5.5 IE3	960	15.60	8.99		4.00	55300	80	207	2015
HCT/HATCH-125-6T/3-7.5 IE3	970		11.20	6.49	5.50	64450	81	219	2015
HCT/HATCH-125-6T/3-10 IE3	975		14.80	8.58	7.50	76400	83	297	2015
HCT/HATCH-125-6T/3-15 IE3	975		21.90	12.70	11.00	87050	84	298	2015
HCT/HATCH-125-6T/3-20 IE3	975		28.20	16.30	15.00	91700	85	407	2015
HCT/HATCH-125-6T/6-5.5 IE3	960	15.60	8.99		4.00	51300	77	216	2015
HCT/HATCH-125-6T/6-7.5 IE3	970		11.20	6.49	5.50	60300	77	228	2015
HCT/HATCH-125-6T/6-10 IE3	975		14.80	8.58	7.50	72250	79	306	2015
HCT/HATCH-125-6T/6-15 IE3	975		21.90	12.70	11.00	85450	81	307	2015
HCT/HATCH-125-6T/6-20 IE3	975		28.20	16.30	15.00	92850	82	416	2015
HCT/HATCH-125-6T/9-10 IE3	975		14.80	8.58	7.50	68200	78	315	2015
HCT/HATCH-125-6T/9-15 IE3	975		21.90	12.70	11.00	77550	81	316	2015
HCT/HATCH-125-6T/9-20 IE3	975		28.20	16.30	15.00	92900	84	425	2015

HCT/HATCH 40 ... 100



Model	A	B	C	D	Ød1	E	F	H	H1	J	K
HCT/HATCH-40	1100	990	1022	920	400	1100	1000	940	1000	900	800
HCT/HATCH-45	1100	990	1022	920	450	1100	1000	940	1000	900	800
HCT/HATCH-50	1100	990	1022	920	500	1100	1000	940	1000	900	800
HCT/HATCH-56	1100	990	1022	920	560	1100	1000	940	1000	900	800
HCT/HATCH-63	1295	1195	1222	1122	630	1300	1200	940	1000	1100	1000
HCT/HATCH-71	1295	1195	1222	1122	710	1300	1200	940	1000	1100	1000
HCT/HATCH-80	1295	1195	1222	1122	800	1300	1200	940	1000	1100	1000
HCT/HATCH-90	1492	1392	1420	1320	900	1500	1400	940	1000	1300	1200
HCT/HATCH-100	1492	1392	1420	1320	1000	1500	1400	940	1000	1300	1200

HCT/HATCH-125



Model	A	B	C	D	Ød1	E	F	H	H1	J	K
HCT/HATCH-125	1750	1775	1700	1700	1245	1780	1780	1230	1290	1580	1580

WALL/FLAP

Hatch with motorised opening system.

Suitable for installation in industrial or commercial buildings. Can be used for ambient ventilation.

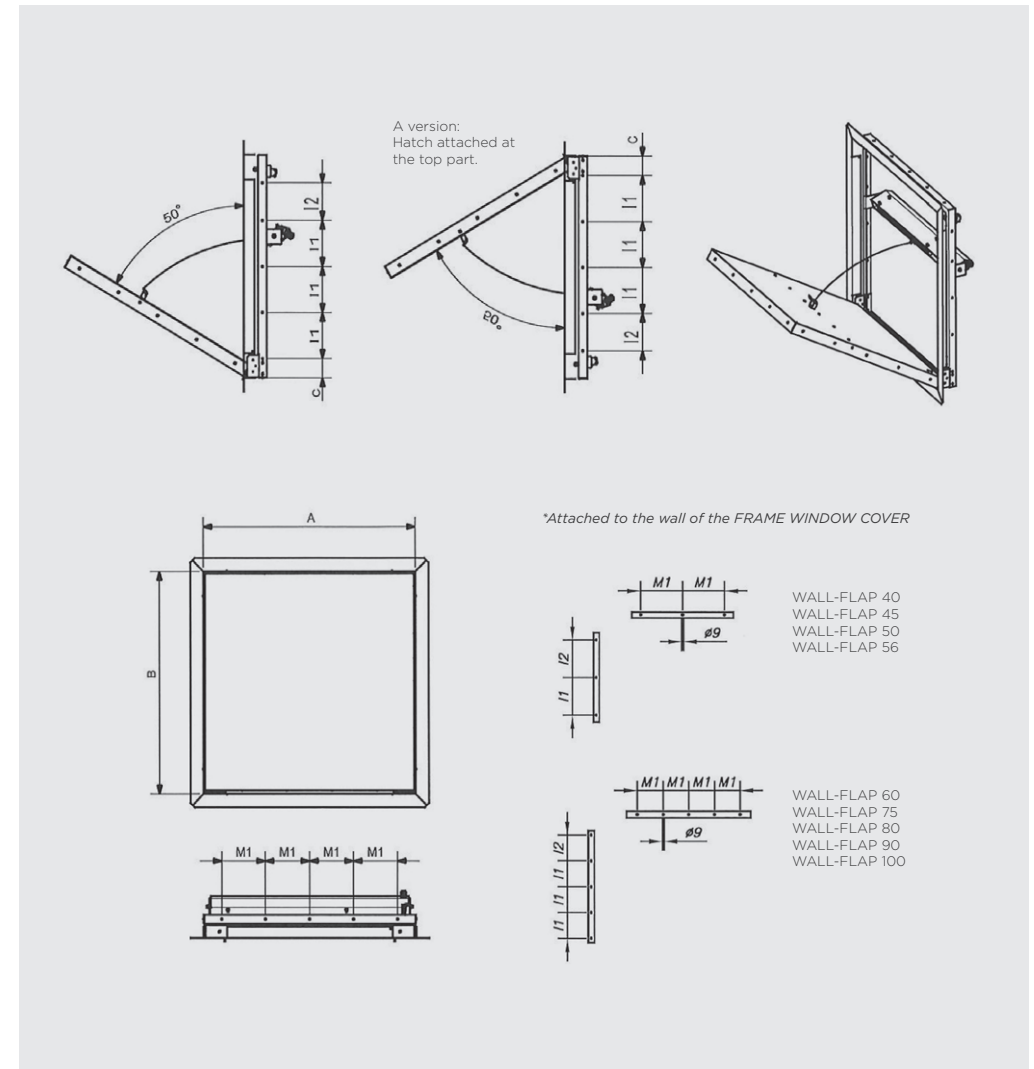


Characteristics:

- An extremely robust structure that is able to withstand severe weather changes.
- Equipment structure made of anti-corrosive galvanised sheet steel.
- Water-tight design to prevent water entry.
- Heat insulation of 60 mm to prevent hot air loss in the winter.
- The wall mount bracket and helical ring support stand permit allow for correct, easy installation.
- Limit switch.

Model	A	B	J1	J2	K1	K2	Applicable to
WALL-FLAP-40 - 45	645	595	700	200	700	200	Diameters 40 and 45
WALL-FLAP-50 - 56	695	695	790	220	790	220	Diameters 50 and 56
WALL-FLAP-63 - 71 - 80	995	995	1050	300	1050	300	Diameters 63, 71 and 80
WALL-FLAP-90 - 100	1195	1195	1250	250	1250	250	Diameters 90 and 100

(A x B) Nominal wall opening size.



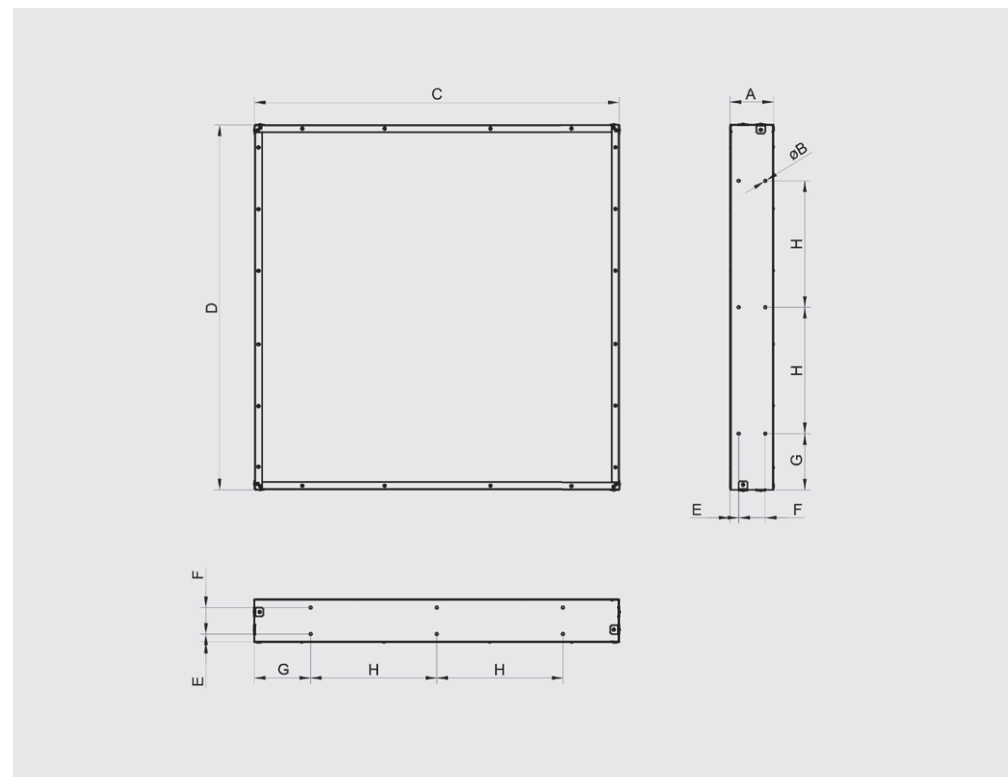
PM

Aluminium frame

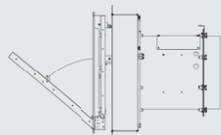
Aluminium frame for hatch pre-installation.



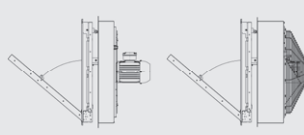
Model	A	B	C	D	E	F	G	H	Applicable to
PM 40-45	145	ø9	650	650	27.5	90	170	350	Diameters 40 and 45
PM 50-56	145	ø9	750	750	27.5	90	170	400	Diameters 50 and 56
PM 63-71-80	145	ø9	1050	1050	27.5	90	170	400	Diameters 63, 71 and 80
PM 90-100	145	ø9	1250	1250	27.5	90	190	430	Diameters 90 and 100



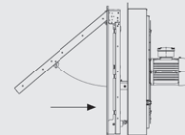
VERSIONS AVAILABLE



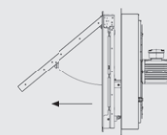
For connection to extract duct.



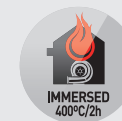
For use without extract duct.




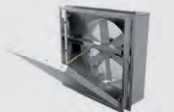
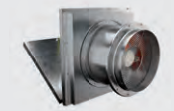
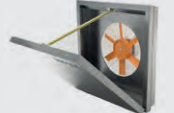
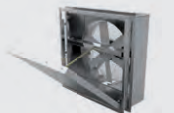


AA version
Hatch attached at the top part. Impeller-motor air direction.



AI version
Hatch attached at the top part. Motor-impeller air direction (standard).



F-300 and F-400 certification.

 THT/WALL	✓	-	-	-	✓
 THT/WALL-F	-	✓	-	-	✓
 WALL/DUCT	✓	-	✓	✓	-
 WALL/AXIAL	-	✓	✓	✓	-
 WALL/FREE	-	✓	✓	✓	-
 THT/HATCH	-	-	-	-	✓
 HCT/HATCH	-	-	-	-	-



HEADQUARTERS

Sodeca, S.L.U.
C/ del Metall, 2 - P.I. La Barricona
E-17500 Ripoll
Girona, SPAIN

Tel. +34 93 852 91 11
Fax: +34 93 852 90 42
General sales: comercial@sodeca.com
Export sales: ventilation@sodeca.com

www.sodeca.com

PRODUCTION PLANT

Sodeca, S.L.U.
Ctra. de Berga, km 0.7
E-08580 Sant Quirze de Besora
Barcelona, SPAIN

